

LED High Bay Light



Specification

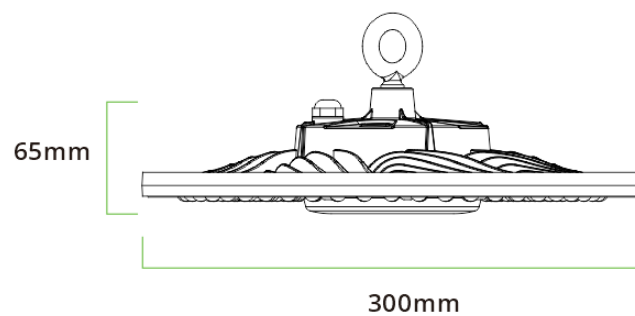
Product Name	LED High Bay Light
Product Model	NS-U102-100 6500K NS-U102-200 6500K
Version No.	U102B
Specification No.	NS-U102-100 6500K NS-U102-200 6500K
Date	2023-12-19

NASCO GROUP CO., LIMITED

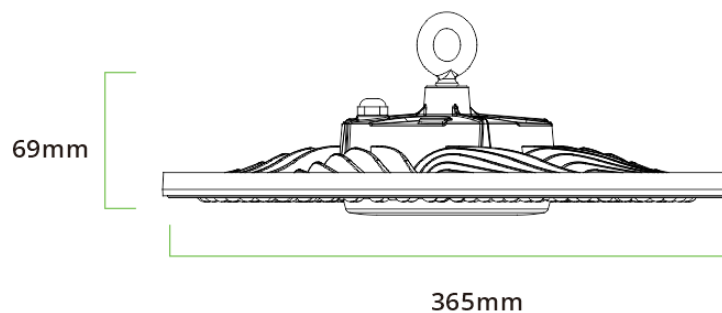
Electrical Parameter

Power	100W	200W
Input Voltage	120-240V	120-240V
Frequency	50/60Hz	50/60Hz
Output Voltage	102-106V	102-106V
PF	0.95	0.95
Beam Angle	80°	80°
Color Temp.	6500K	6500K
Lumen	13000LM	26000LM
Luminous Efficiency	130LM/W	130LM/W
CRI(Ra)	>70	>70
Life Time	30,000H	30,000H

100W:

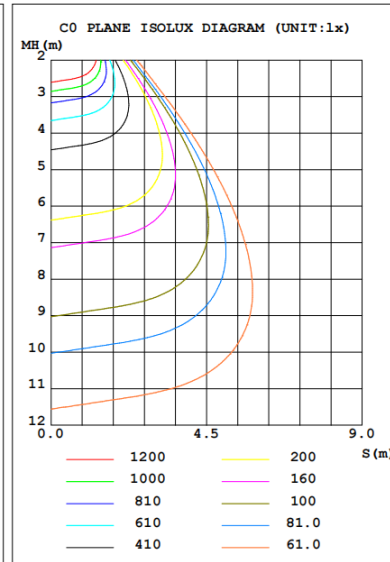
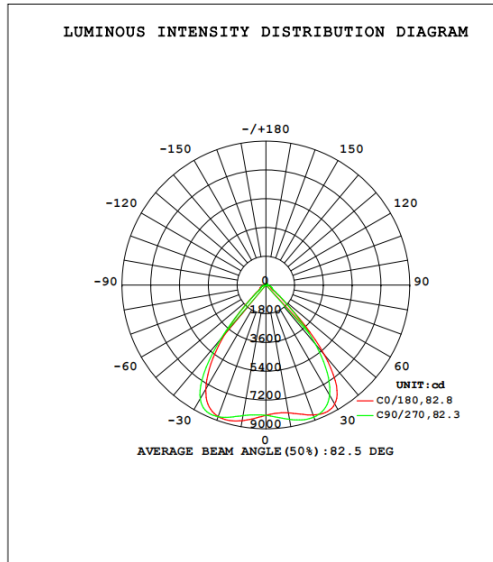


200W:

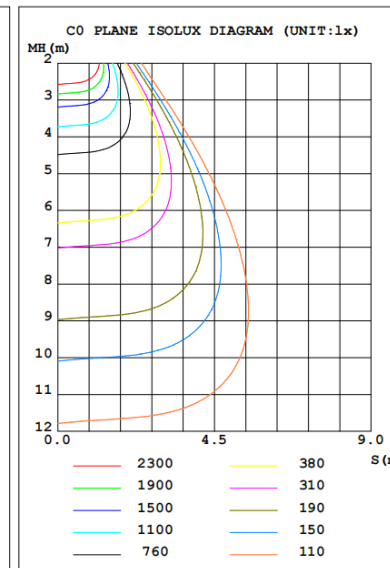
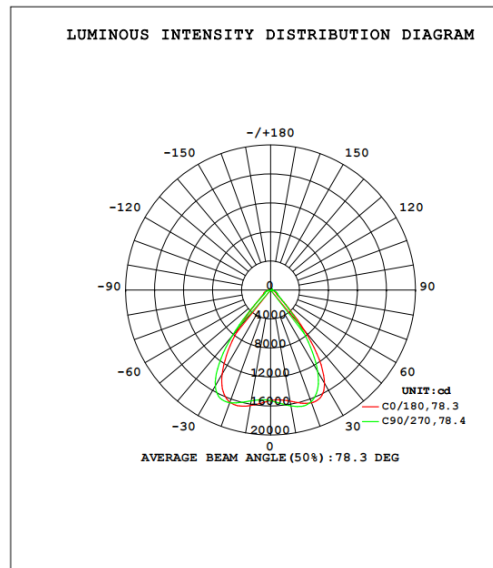


Intensity Distribution Diagram

100W:



200W:



Product Installation

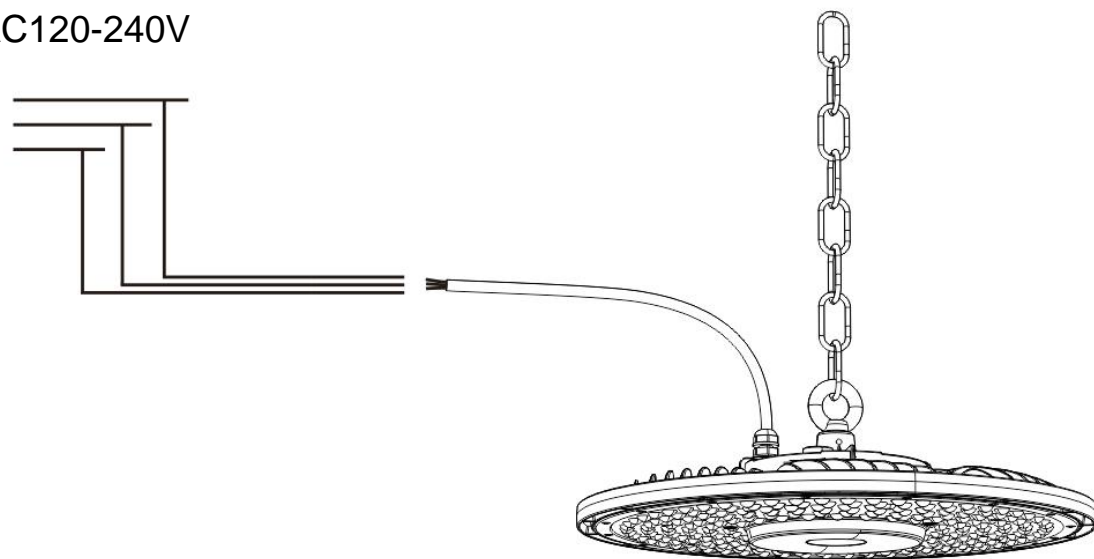
1. The luminaires shall be installed and maintained by qualified electrician and wired in accordance with the latest IEC electrical regulations or national requirements.
2. If the external flexible cable or cord of this luminaire is damaged, it shall be replaced by the manufacturer or his service agent or a similar qualified person.
3. To prevent the risk of electric shock, turn off power supply before installation. It is not permitted to connect the luminaire to high-voltage AC supply line directly.
4. The luminaire must be wired and grounded correctly. The input voltage and current must meet the requirements. The supplier will not be responsible for the consequences for inappropriate operation.
5. The light source contained in this luminaire shall only be replaced by the manufacturer or his service agent or a similar qualified person.

Pay attention to live wire, null wire and ground wire, and connect according to the following if there is no clear mark :

Dark color wire (Brown)	L
Light color wire (Blue)	N
Double-color wire (Yellow and green)	G

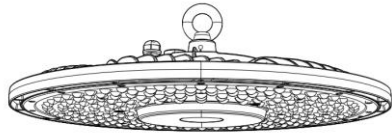
AC120-240V

L
N
G

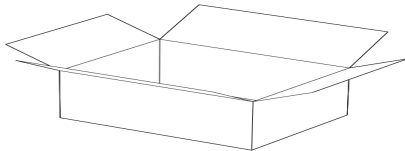


Pendant Mount

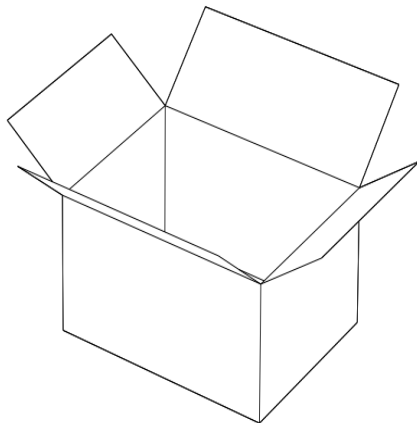
Product Package



————— Lamp body



————— Color Carton



————— Master Carton

Item	Color box size	Master box size	Qty
100W High Bay	32.5*32.5*10.5cm	34.5*34.5*48cm	4 PCS
200W High Bay	39*39*10.5cm	41*41*24.5cm	2 PCS