



PRODUCT SPECIFICATION

Product Name: LED Striplight

Product model: HLS-12

DESCRIPTION : 2835-180D-220V-11/12MM-12W-WW /2835-180D-220V-11/12MM-12W-NL-40K

● Features

1. Using die-casting aluminum with good appearance for high class looking.
2. Built-in constant current driver for high efficiency and stability.
3. Quick response time, the LED response time is nanosecond.
4. Environmental protection, no heavy metals and harmful gas.
5. Energy-saving, can save energy more 80% than traditional lights.
6. No flicker, start quickly, soft light, protect your eyes.
7. Easy to install and use.

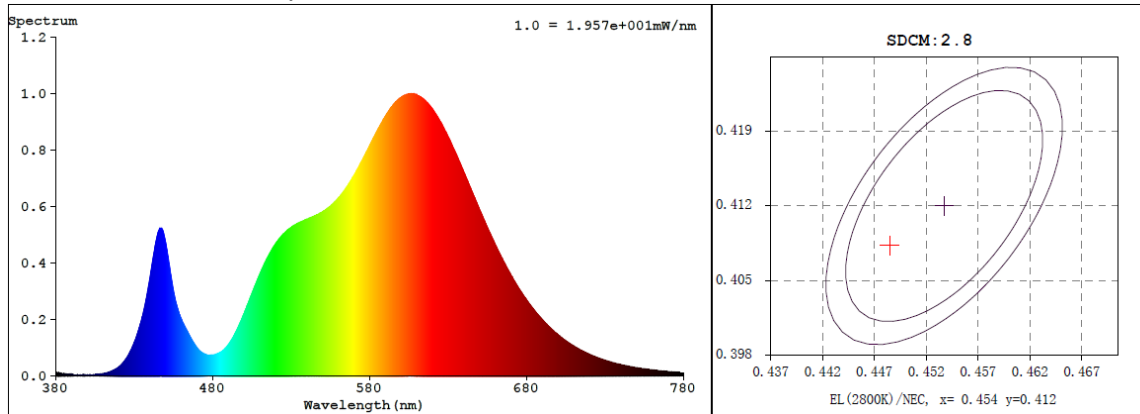
● Technical Parameter

Model	HLS-12-12W(WW) /12W(NL-40K)
LED model	2835
LED Qty	180PCS
Power	12W
Voltage	AC220-240V
Working Frequency	50/60HZ
Power Efficiency	/
Luminous Flux	1200LM/M

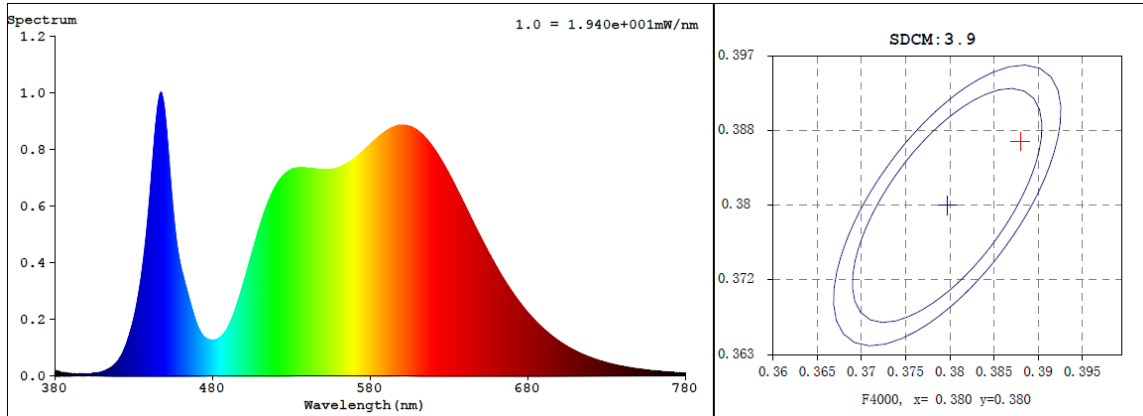
Efficiency	100LM/W \pm 10%
Power Factor	\geq 0.9
Colour Temperature	WW: 3000K \pm 10% NW: 4000 K \pm 10%
CRI	Ra \geq 80
Beam Angle	120 $^{\circ}$
Working Temperature	-20 to + 40 $^{\circ}$ C
Service life	5 yr warranty

● Relative Spectral Energy Distribution

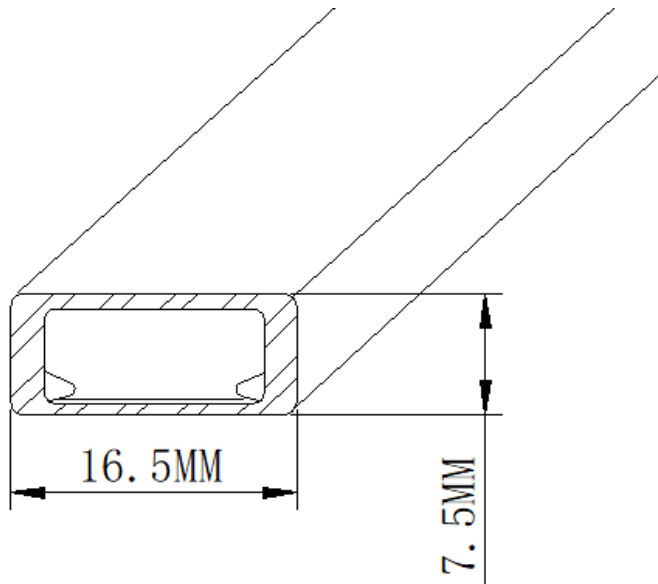
2835-180D-220V-11/12MM-12W-WW



2835-180D-220V-11/12MM-12W-NL-40K



● Dimensions



● Model	Diameter (mm)	W(mm)	H(mm)
HLS-12	/	16.5± 1	7.5± 1

● Product Package

Packed in color box, 50M/roll , 2roll/ctn

● Packing size & Pictures:

Inner box:

Model	L (mm)	W (mm)	H (mm)
HLS-12	305	305	140

2835-180D-220V-11/12MM-12W-WW



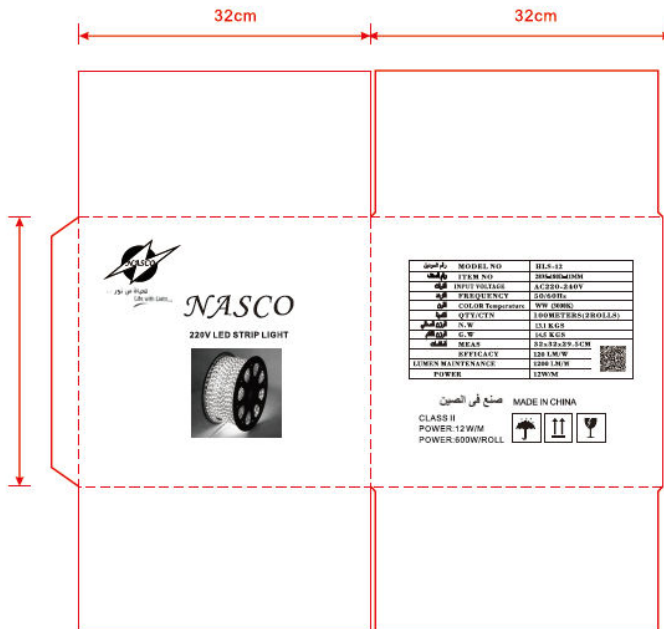
2835-180D-220V-11/12MM-12W-NL-40K



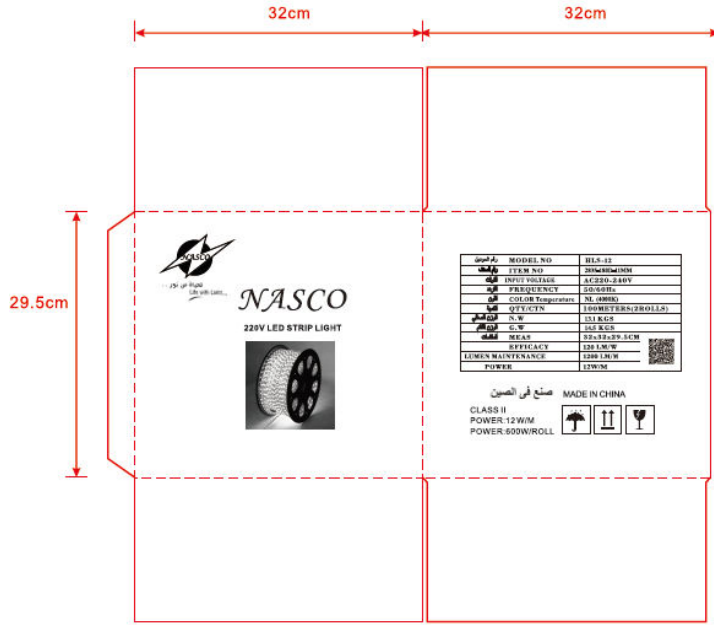
Outer box

Model	L (mm)	W (mm)	H (mm)
HLS-12	320	320	295

2835-180D-220V-11/12MM-12W-WW



2835-180D-220V-11/12MM-12W-NL-40K



● Attentions

1. Make sure the power is off before maintenance.
2. Clean the glass of diffuser of lamp regularly to maintain good light transmittance.
3. Clean the dust of the shell to maintain good heat dissipation performance.
4. Be careful not to use water or corrosive solution for cleaning, it is better to use a dry cloth.

● Warranty and After-sales Service

The period of guarantee is 5 years. Quality assurance is based on the correct storage, installation, use and maintenance of products. Due to improper installation and improper use of the product, the product is damaged beyond the scope of this warranty. During the warranty period, We will choose to repair, replace (spare parts) with new products. Labor charges or material costs will be appropriately collected over the warranty period.

● Products Application Cases



The date listed in this file is for reference only, and the specific date should be subject to the specific products, if any change, sorry for no notice.