



## PRODUCT SPECIFICATION

Product Name: LED Striplight

Product model: HLS-10

DESCRIPTION : 2025-280D-220V-11MM-10W-WW /2025-280D-220V-11MM-10W-NL-40K/2025-280D-220V-11MM-10W-WH/2025-280D-220V-11MM-10W-BL

### ● Features

1. Using die-casting aluminum with good appearance for high class looking.
2. Built-in constant current driver for high efficiency and stability.
3. Quick response time, the LED response time is nanosecond.
4. Environmental protection, no heavy metals and harmful gas.
5. Energy-saving, can save energy more 80% than traditional lights.
6. No flicker, start quickly, soft light, protect your eyes.
7. Easy to install and use.

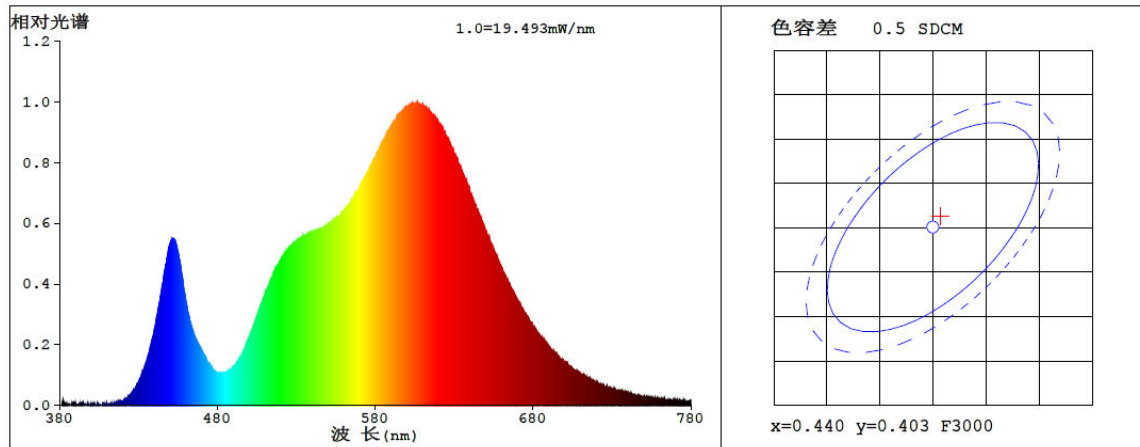
### ● Technical Parameter

Model	HLS-10-10W(WW) /10W(NL-40K) /10W(WH)/10W(BL)
LED model	2025
LED Qty	280PCS
Power	10W
Voltage	AC220-240V
Working Frequency	50/60HZ
Power Efficiency	/
Luminous Flux	800LM/M

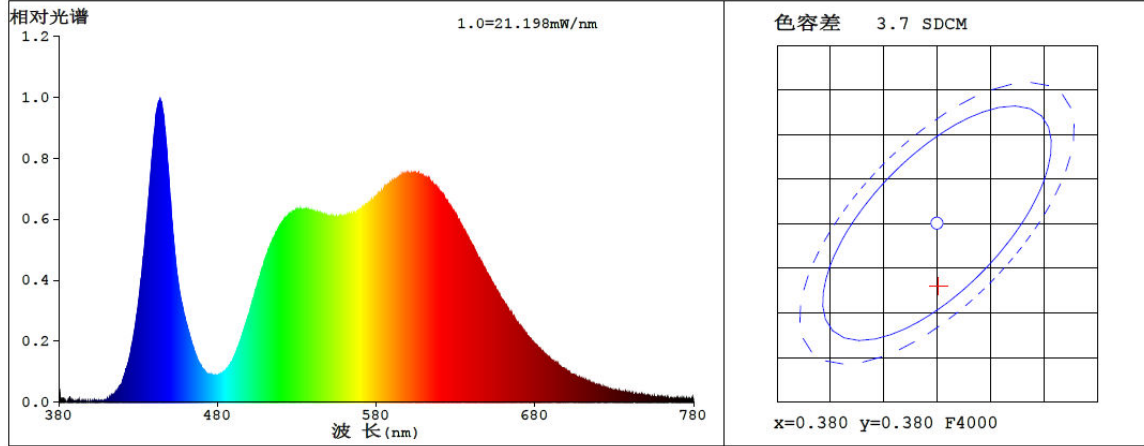
Efficiency	80LM/W $\pm$ 10%
Power Factor	$\geq$ 0.9
Colour Temperature	WW: 3000K $\pm$ 10% NW: 4000 K $\pm$ 10% WH: 6500 K $\pm$ 10%
CRI	Ra $\geq$ 80
Bean Angle	120°
Working Temperature	-20 to + 40 °C
Service life	5 yr warranty

● Relative Spectral Energy Distribution

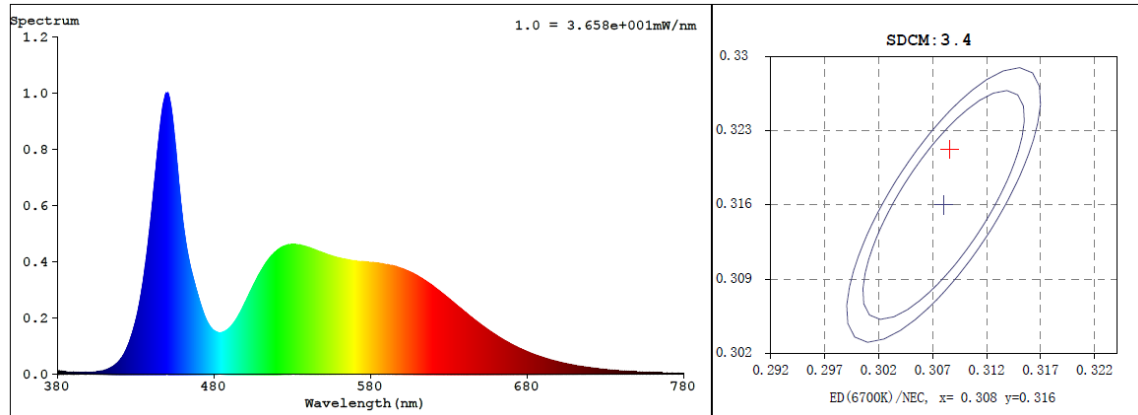
2025-280D-220V-11MM-10W-WW



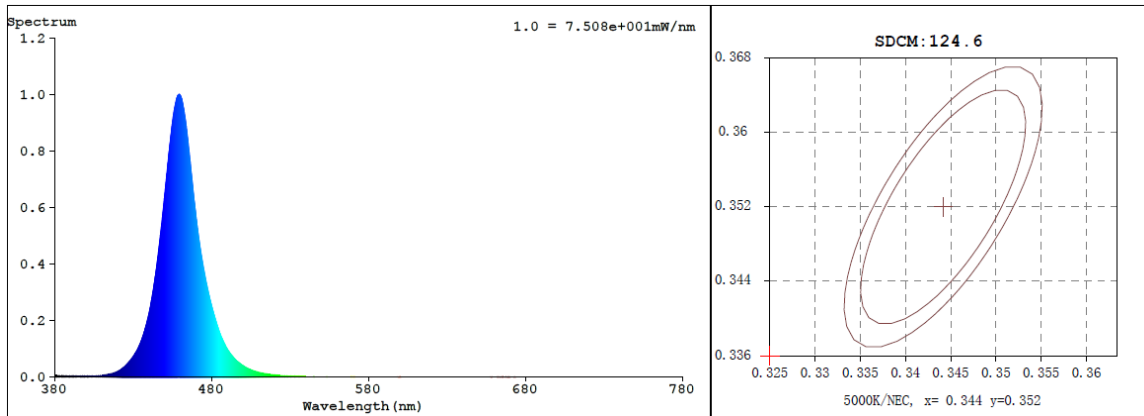
### 2025-280D-220V-11MM-10W-NL-40K



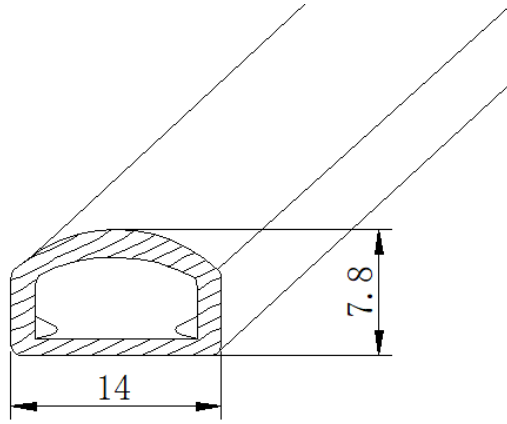
### 2025-280D-220V-11MM-10W-WH



### 2025-280D-220V-11MM-10W-BL



● Dimensions



Model	Diameter (mm)	W(mm)	H(mm)
HLS-10	/	14± 1	7.8± 1

● Product Package

Packed in color box,50M/roll , 2roll/ctn

● Packing size & Pictures:

Inner box:

Model	L (mm)	W (mm)	H (mm)
HLS-10	305	305	140

# 2025-280D-220V-11MM-10W-WW

**NASCO**  
SMD2825 LED STRIP LIGHT

**NASCO**  
SMD2825 LED STRIP LIGHT

**50000 Hours Life Time**

Model No.	2025-280D-220V-11MM-10W-WW
Input Voltage	AC 220V-240V
Frequency	50/60Hz
Color Temperature	WW (Warm White)
LED Spacing	12.5mm (0.5")
Beam Angle	120°
Power	10W
Efficiency	100lm/W
Lumen Maintenance	70%

- Entertainment Lighting
- Landscape Lighting
- Decoration Lighting
- City Beautification
- High Brightness
- Long Life Time
- Energy Saving
- Cuttable Every 50mm
- 25000 switching cycles

**NASCO**  
SMD2825 LED STRIP LIGHT

نموذج المنتج	MODEL NO	2025-280D-220V-11MM-10W-WW
رقم المنتج	ITEM NO	2025-280D-220V-11MM-10W-WW
المدخل الكهربائي	INPUT VOLTAGE	AC 220V-240V
التردد	FREQUENCY	50/60Hz
اللون	COLOR TEMPERATURE	WW (Warm White)
مسافة LED	LED SPACING	12.5mm (0.5")
زاوية الحزمة	BEAM ANGLE	120°
القدرة	POWER	10W
الكفاءة	EFFICIENCY	100lm/W
صيانة اللمعة	LUMEN MAINTENANCE	70%

صنع في الصين  
MADE IN CHINA

CLASS E  
POWER:10W/M  
POWER:500W/ROLL

# 2025-280D-220V-11MM-10W-NL-40K

**NASCO**  
SMD2825 LED STRIP LIGHT

**NASCO**  
SMD2825 LED STRIP LIGHT

**50000 Hours Life Time**

Model No.	2025-280D-220V-11MM-10W-NL-40K
Input Voltage	AC 220V-240V
Frequency	50/60Hz
Color Temperature	NL (Neutral White)
LED Spacing	12.5mm (0.5")
Beam Angle	120°
Power	10W
Efficiency	100lm/W
Lumen Maintenance	70%

- Entertainment Lighting
- Landscape Lighting
- Decoration Lighting
- City Beautification
- High Brightness
- Long Life Time
- Energy Saving
- Cuttable Every 50mm
- 25000 switching cycles

**NASCO**  
SMD2825 LED STRIP LIGHT

نموذج المنتج	MODEL NO	2025-280D-220V-11MM-10W-NL-40K
رقم المنتج	ITEM NO	2025-280D-220V-11MM-10W-NL-40K
المدخل الكهربائي	INPUT VOLTAGE	AC 220V-240V
التردد	FREQUENCY	50/60Hz
اللون	COLOR TEMPERATURE	NL (Neutral White)
مسافة LED	LED SPACING	12.5mm (0.5")
زاوية الحزمة	BEAM ANGLE	120°
القدرة	POWER	10W
الكفاءة	EFFICIENCY	100lm/W
صيانة اللمعة	LUMEN MAINTENANCE	70%

صنع في الصين  
MADE IN CHINA

CLASS E  
POWER:10W/M  
POWER:500W/ROLL

## 2025-280D-220V-11MM-10W-WH





**50000 Hours Life Time**

Item	Value
Model No.	2025-280D-220V-11MM-10W-WH
Item No.	2025-280D-220V-11MM-10W-WH
Input Voltage	AC 220-240V
Frequency	50/60Hz
Color Temperature	3000K (Warm White)
Power Factor	> 0.95
Beam Angle	120°
Efficiency	100 LM/W
Lumen Maintenance	100%
Power	10 W/m



- Entertainment Lighting
- Landscape Lighting
- Decoration Lighting
- City Beautification
- High Brightness
- Long Life Time
- Energy Saving
- Suitable Every Room
- 25000 switching cycles

Model No.	2025-280D-220V-11MM-10W-WH
Item No.	2025-280D-220V-11MM-10W-WH
Input Voltage	AC 220-240V
Frequency	50/60Hz
Color Temperature	3000K (Warm White)
Power Factor	> 0.95
Beam Angle	120°
Efficiency	100 LM/W
Lumen Maintenance	100%
Power	10 W/m

صنع في الصين  
MADE IN CHINA

CLASS II  
POWER 10W/M  
POWER 500W/ROLL



## 2025-280D-220V-11MM-10W-BL





**50000 Hours Life Time**

Item	Value
Model No.	2025-280D-220V-11MM-10W-BL
Item No.	2025-280D-220V-11MM-10W-BL
Input Voltage	AC 220-240V
Frequency	50/60Hz
Color Temperature	3000K (Warm White)
Power Factor	> 0.95
Beam Angle	120°
Efficiency	100 LM/W
Lumen Maintenance	100%
Power	10 W/m



- Entertainment Lighting
- Landscape Lighting
- Decoration Lighting
- City Beautification
- High Brightness
- Long Life Time
- Energy Saving
- Suitable Every Room
- 25000 switching cycles

Model No.	2025-280D-220V-11MM-10W-BL
Item No.	2025-280D-220V-11MM-10W-BL
Input Voltage	AC 220-240V
Frequency	50/60Hz
Color Temperature	3000K (Warm White)
Power Factor	> 0.95
Beam Angle	120°
Efficiency	100 LM/W
Lumen Maintenance	100%
Power	10 W/m

صنع في الصين  
MADE IN CHINA

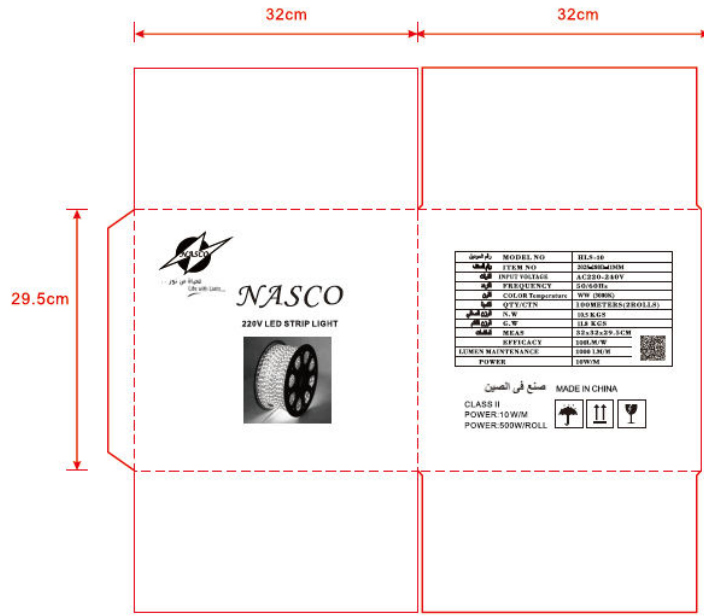
CLASS II  
POWER 10W/M  
POWER 500W/ROLL



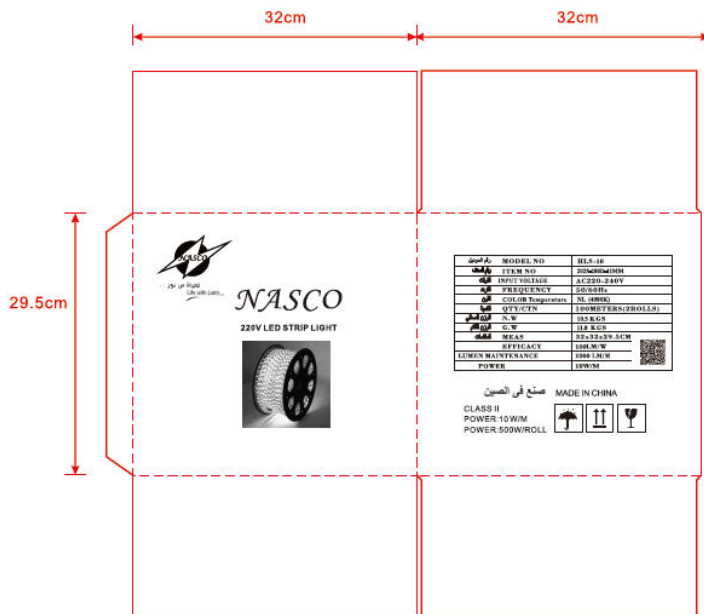
Outer box

Model L (mm) W (mm) H (mm)  
 HLS-10 320 320 295

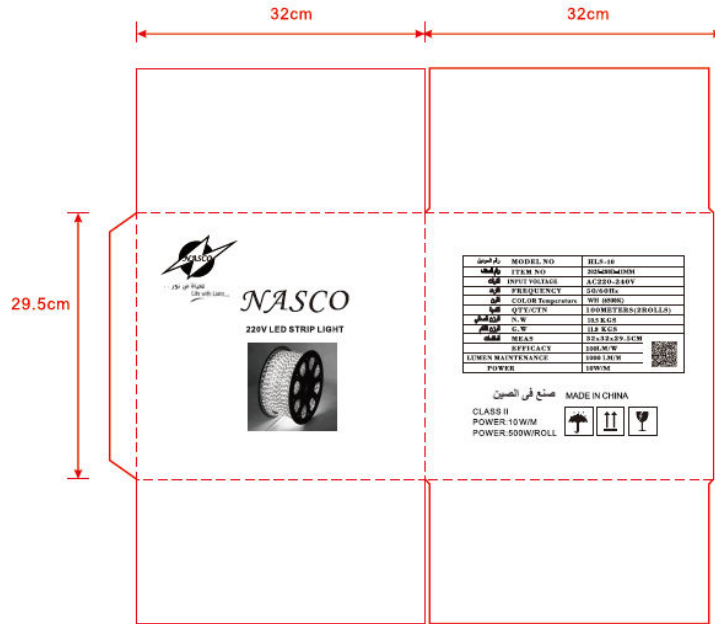
2025-280D-220V-11MM-10W-WW



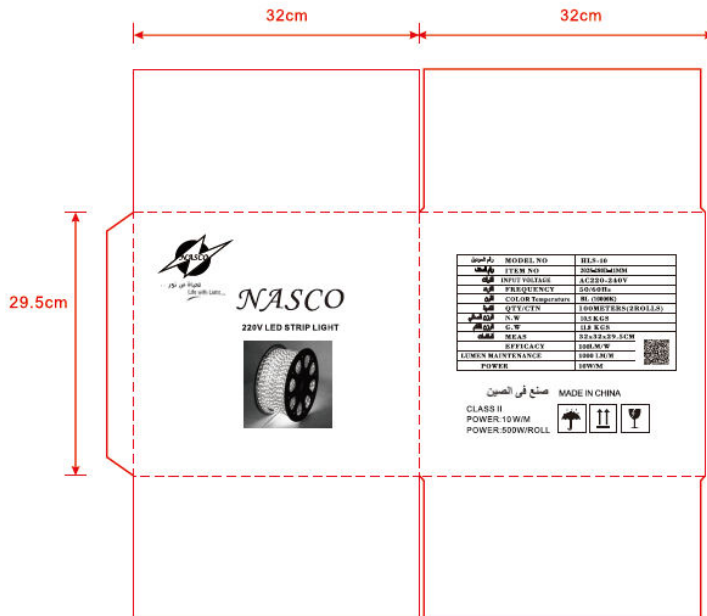
2025-280D-220V-11MM-10W-NL-40K



2025-280D-220V-11MM-10W-WH



2025-280D-220V-11MM-10W-BL





### ●Attentions

1. Make sure the power is off before maintenance.
2. Clean the glass of diffuser of lamp regularly to maintain good light transmittance.
3. Clean the dust of the shell to maintain good heat dissipation performance.
4. Be careful not to use water or corrosive solution for cleaning, it is better to use a dry cloth.

### ●Warranty and After-sales Service

The period of guarantee is 5 years. Quality assurance is based on the correct storage, installation, use and maintenance of products. Due to improper installation and improper use of the product, the product is damaged beyond the scope of this warranty. During the warranty period, We will choose to repair, replace (spare parts) with new products. Labor charges or material costs will be appropriately collected over the warranty period.

● Products Application Cases



The date listed in this file is for reference only, and the specific date should be subject to the specific products, if any change, sorry for no notice.