

# LED DOWN LIGHT

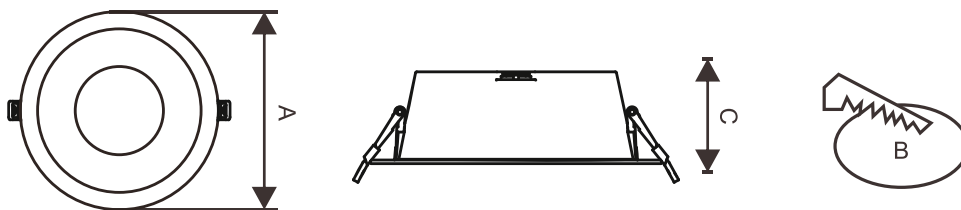


## Specification

Product Name	LED Down Light
Product Model	NS-D105
Version No.	D105
Specification No.	Spec-NS-D105
Date	2022.10.1

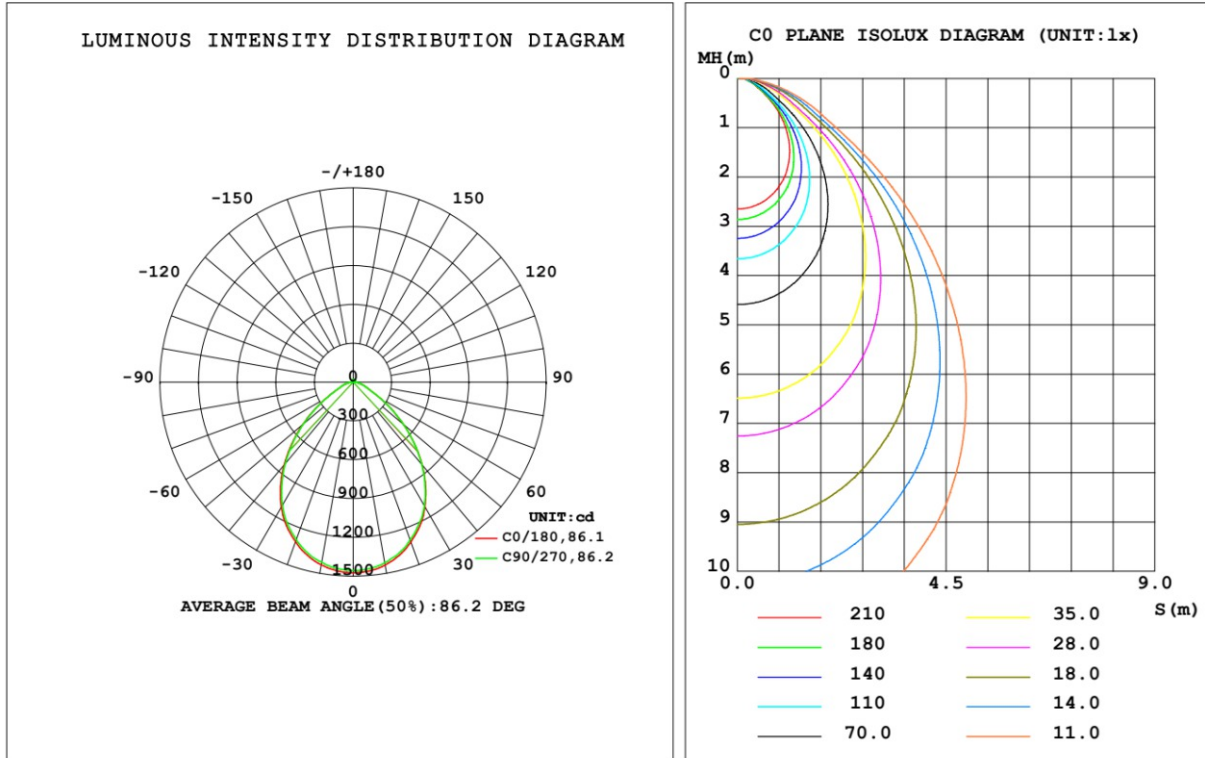
## Electrical Parameter

Power	7W	20W	30W	40W
Input voltage	AC100-240V			
Frequency	50/60Hz			
Output voltage	12-25V	24-42V	24-42V	24-42V
PF	0.9			
Beam angle	100°			
Color Temp.	3000K / 7000K			
Lumen	445Lm	1460Lm	2400Lm	3200Lm
Luminous efficiency	65Lm/W	73Lm/W	80Lm/W	80Lm/W
CRI (Ra)	80			
Life Time	50,000H			



Wattage	A	B	C
7W	Φ 100MM	Φ 65MM	46MM
20W	Φ 165MM	Φ 140MM	63MM
30W	Φ 225MM	Φ 195MM	71MM
40W	Φ 225MM	Φ 195MM	71MM

## Intensity Distribution Diagram



7W

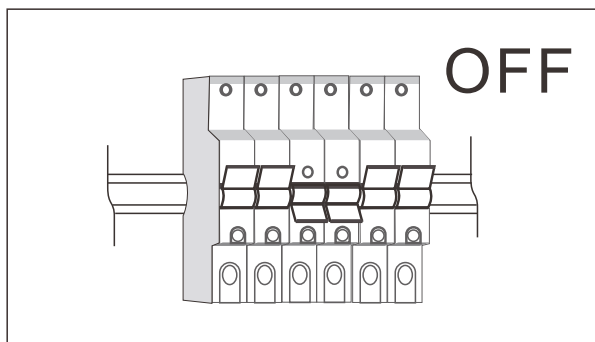
20W

30W/40W

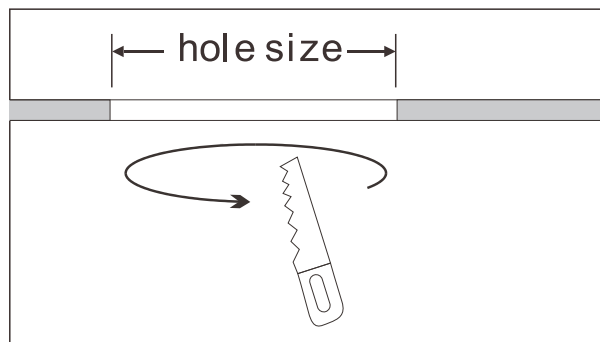


## Product Installation

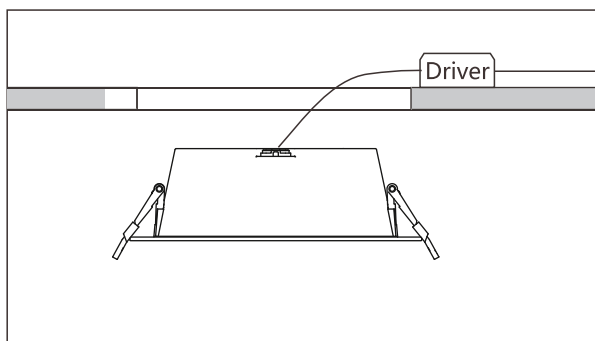
1. Choose the correct position and open hole according to the size of lamp.
2. Read the figure below, find out the output + -, connect with the lighting power supply, and the input terminal with 100-240V.
3. Discriminate the side of output and input from driver, the output input can't turn back.
4. According to the identification, distinguish between driver output and light source input of positive negative.
5. Connection methods: driver positive connect with source positive and negative connect with negative, otherwise it will burn the source and destroy the driver.
6. If the external flexible cable or cord of this luminaire is damaged, it shall be exclusively replaced by the manufacturer or his service agent or a similar qualified person in order to avoid a hazard.
7. "The light source contained in this luminaire shall only be replaced by manufacturer or this service agent or a similar qualified person."
8. The distance from the lamp to the driver is at least 15cm.
9. Terminal block not included, installation may be require advice from a qualified person.



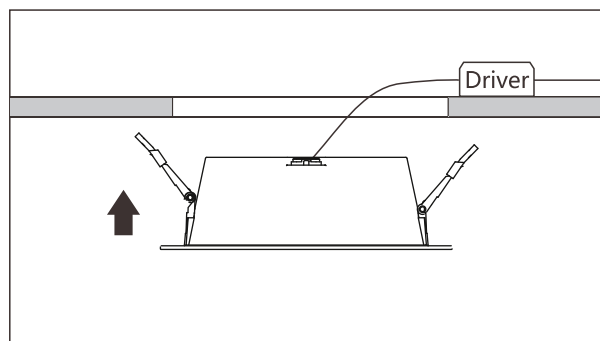
1. Shut off the power.



2. Open hole according to the size



3. Connect the wire with the lamp in correct direction.



4. Press the spring and insert the lamp into the hole, then ready for use.

## Product Package



Item	Color box Size	Carton Size	Pcs/CTN	N.W/CTN	G.W/CTN
7W	10.7*6.5*11CM	55.5*34.5*24CM	50PCS	8.8KG	9.4KG
20W	17.2*7.8*17.5CM	71*41*37CM	40PCS	17KG	18KG
30W	23.2*8.5*23.2CM	48.5*44.5*25CM	10PCS	7KG	7.8KG
40W	23.2*8.5*23.2CM	48.5*44.5*25CM	10PCS	7KG	7.8KG