



# STREET LIGHT

Diamond Street Light



## Specification

Product Name	Street Light
Product Model	LD-LX100W
Version No.	V01
Sepecification No.	Spec-LD-LX100W01-
Date	2018.03.22



## Catalogue

---

1、 Feature and range of application	_____	page 3
2、 Figure and size	_____	page 4
3、 Main parameter and life test	_____	page 5
4、 Intensity Distribution Curve	_____	page 6
5、 Installation Guidance	_____	page 7
6、 Temperature test repor	_____	page 8
7、 package information	_____	page 9
8、 Warranty and After-sales service	_____	page 10



## ■ 1. character and application

Patented products, easy to install. The power supply box is made of die-casting aluminum alloy, which makes drivers have good heat dissipation, and improves the life of the product. This lamp is suitable for installation at 4-8m height.

### Chip Character :

Imported SMD3030LED light source with high brightness and long life. The LED has LM-80 certification.

### Driver Character :

Domestic famous brand driver, wide range input (100-240Vac); Protection function: short circuit/over current/over pressure/over temperature; PF is more than 0.9 when the load is than 75%, ; Design of IP65.

### Heat sink feature :

The heat sink is made of ADC12 aluminum with the high heat conductivity, The heat dissipation area is large, which guarantees the stability of product function and lengthen life. .

Installs Way: Lamp post

certification : CE, ROHS

- 2.energy-saving : 50W street light can take place 100W HPSL

## ■ 3.product application

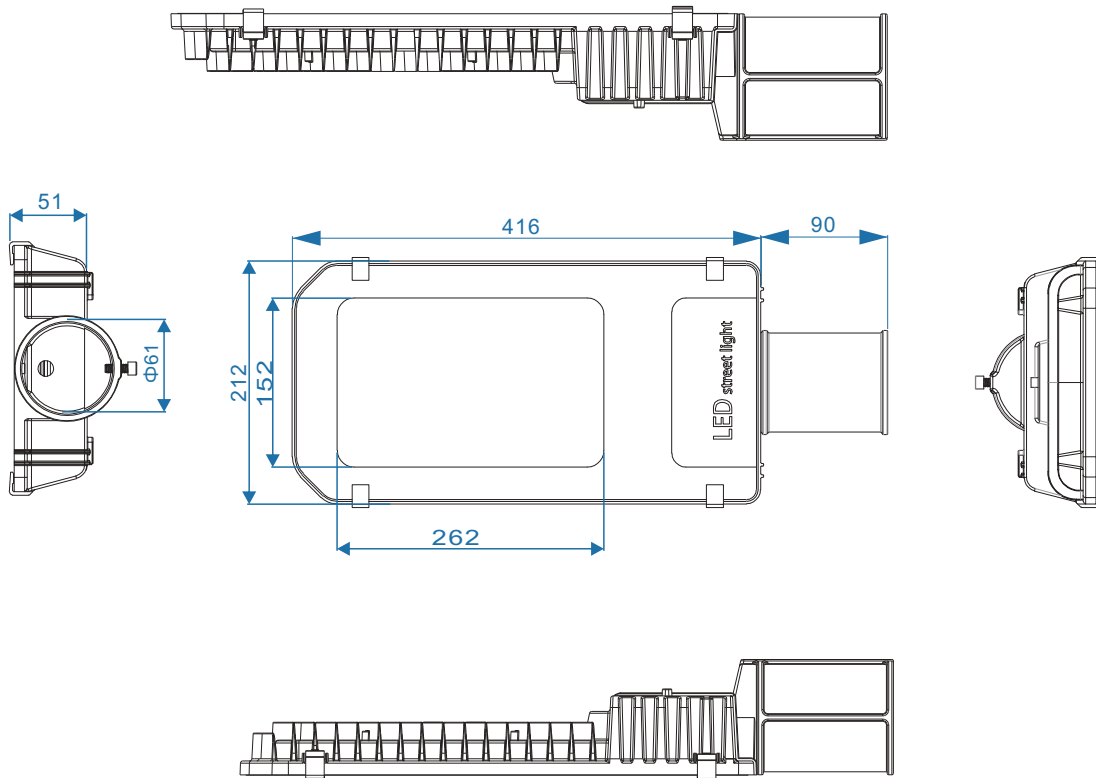
Suitable for urban and rural road, garden road, industrial park road, etc.



## Product shape



## Product size

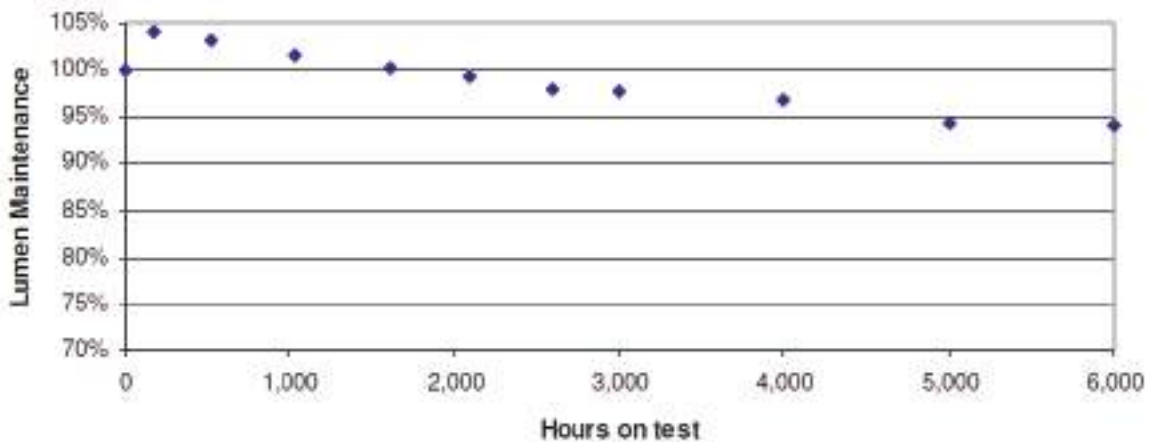




### electrical Parameter

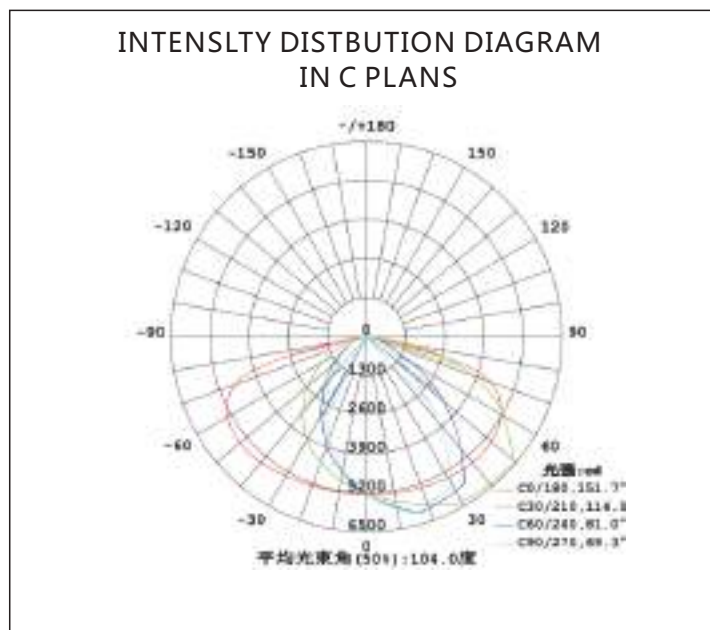
Item No.	parameter			unit
Input Voltage	AC 100 ~ 240V			V
Rated Wattage	100±5			W
Driver Efficiency	89%			/
Power Factor	0.95			PF
Beam Angle	70°x150°			Degree
Color Temperature	WW/2700-3000	NW/4000-4500	PW/6000-6500	K
Luminous Flux	9000	9800	10360	LM
CRI	>70			Ra
Working Temperature	-20 ~ +40			C
IP Grade	Ip65			
Surge protection	4KV AC			
Life Time	3			Year

### Diagram of continue operating for 6000H

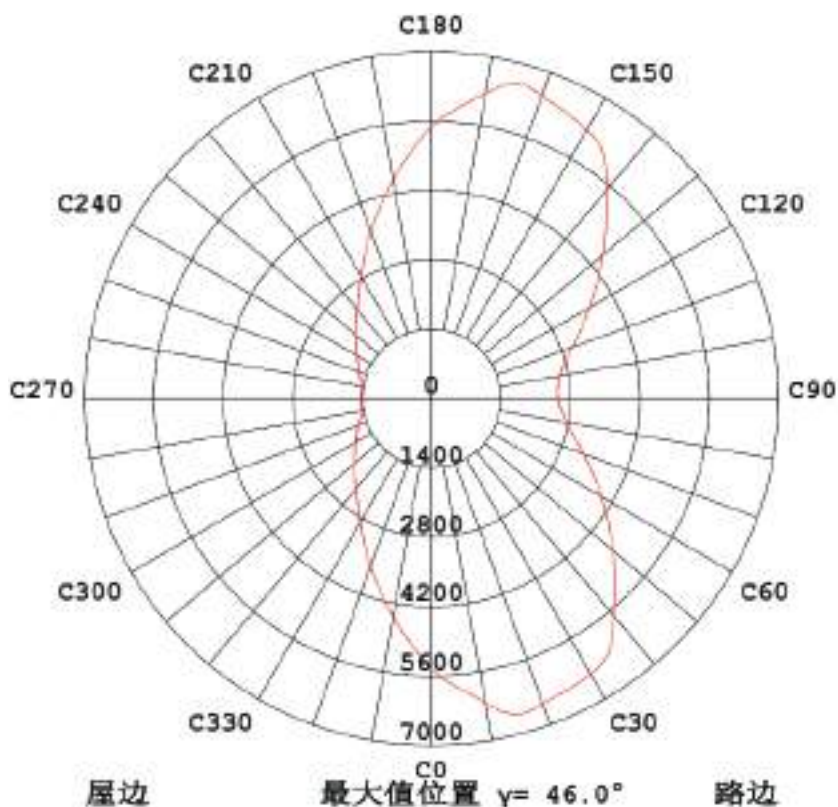




# Intensity Distribution Diagram



max intensity cone surface  
distribution diagram

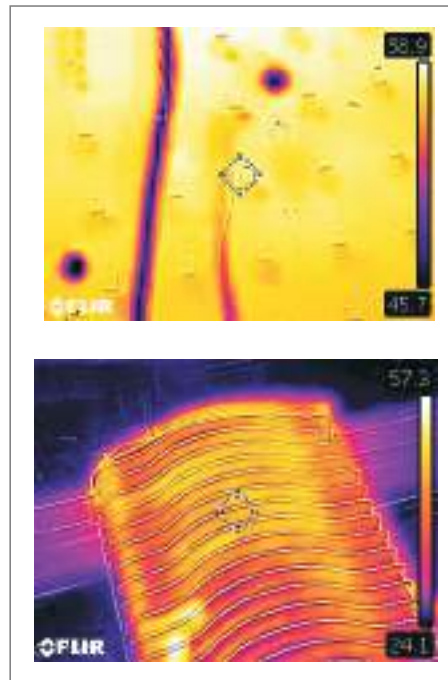
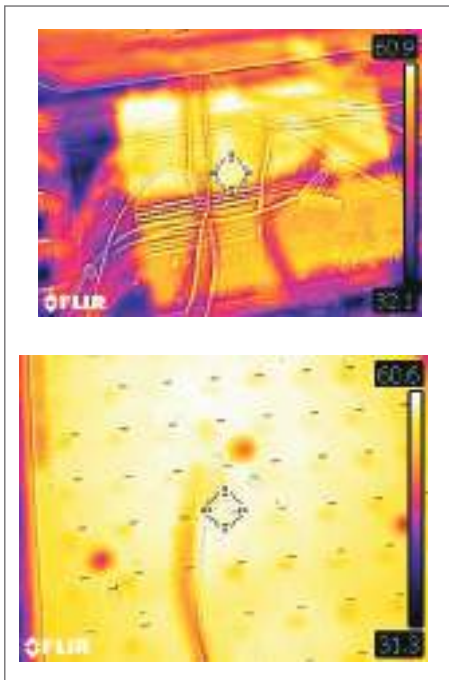




## Temperature test report

Product Name	position	Temperature(°c)	Ambient temperature	Temperature rise
LD-LX100W	LED junctiong	60.2	23.5	36.7
	PCB	58.3	23.5	34.8
	housing	56.4	23.5	32.9
	Driver	59.5	23.5	36

## Thermal imagery

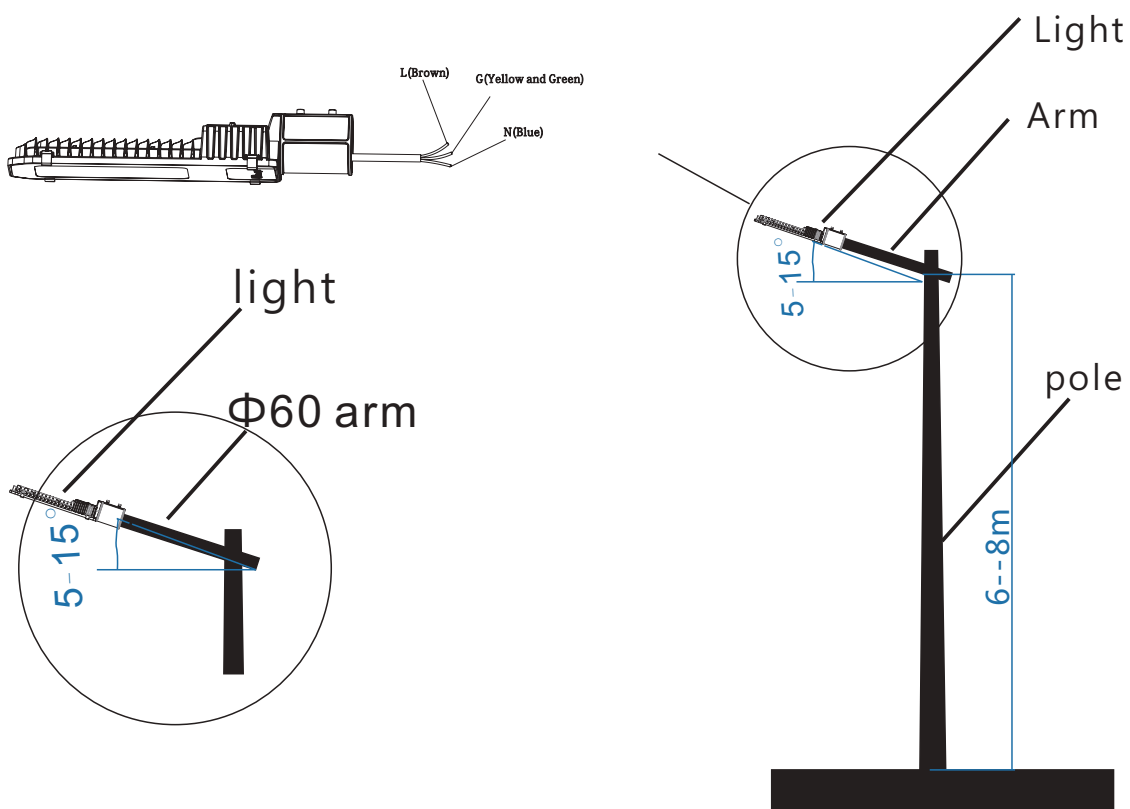




## Installation & Instruction

1. Power supply voltage: AC 100 ~ 240V .
2. The diameter of pole arm is 50~60mm
3. Connect the right wire according the color of the wire
4. Please find professional electrician for installation. The cable of 0.75-1mm three-core cable ,the brown is " L" wire, the blue is "N"wire, and the yellow green line is the "PE".
5. The joint of the the wires is treated to be water proof
6. Take the light and let the arm of pole into the hole of street light ,the beam angle is 5~15°.
7. Fix the street lights with two bolt of M6 X 16mm
8. The cover of the light is made of glass, and the glass is fragile,. Please pay attention to gently take the light to release the pressure while transportation,handle,storage,fix

## Installation Instruction



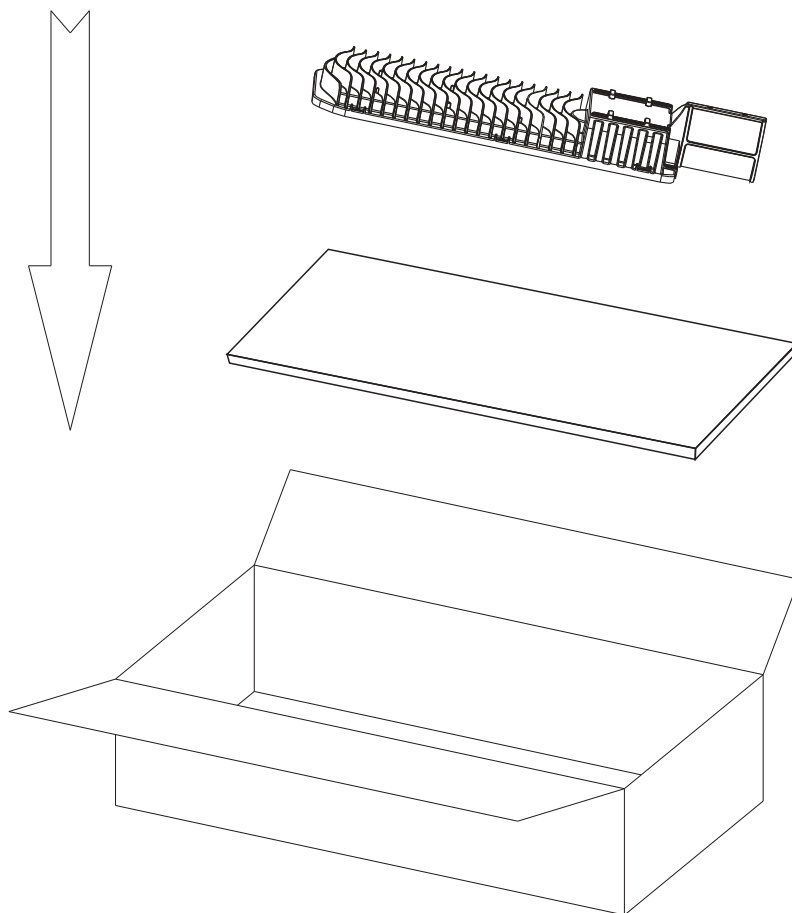




## Packing information

Carton Size	52x22.5x10.5(cm)
Gross Weight	3.482kg
Net Weight	3.063kg

## Packing diagram





### Attentions

- 1、 Maintain after power off .
- 2、 Clean the glass of light in time to keep good light transmission.
- 3、 Use the right cleaner not strong corrosive liquid while cleaning.

### Warranty & After-sales Service

The period of guarantee is 3 years. Quality assurance is based on the correct storage, installation, use and maintenance of products. Due to improper installation and improper use of the product, the product is damaged beyond the scope of this warranty. During the warranty period, We will choose to repair, replace (spare parts) with new products. Labor charges or material costs will be appropriately collected over the warranty period.