

LED FLOODLIGHT(FOR PROJECT)DESCRIPTION

NS-FLA-60



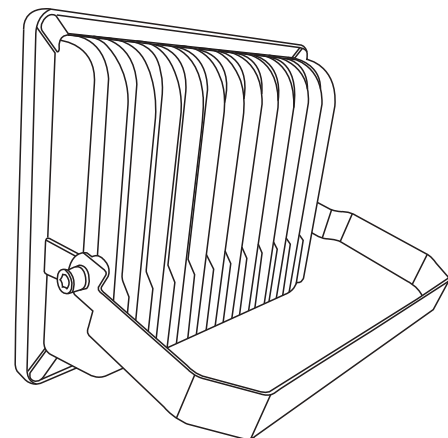
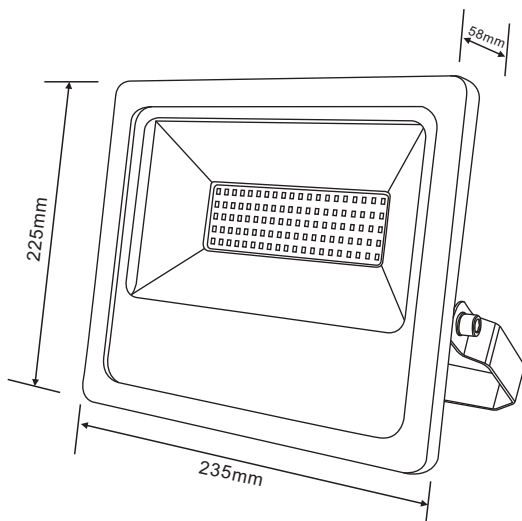
Specification

1 . Lighting Design Related Detail Sketches



2 . Dimension

Size:235x225x58mm



3 . Description

- High efficiency, low energy consumption.
- Good quality beam.
- Long life span 30000 hours.
- Ecological. The waste can be recycled.No pollution and mercury.



Specification

4 . Technical parameter

PRODUCT SPECIFICATION

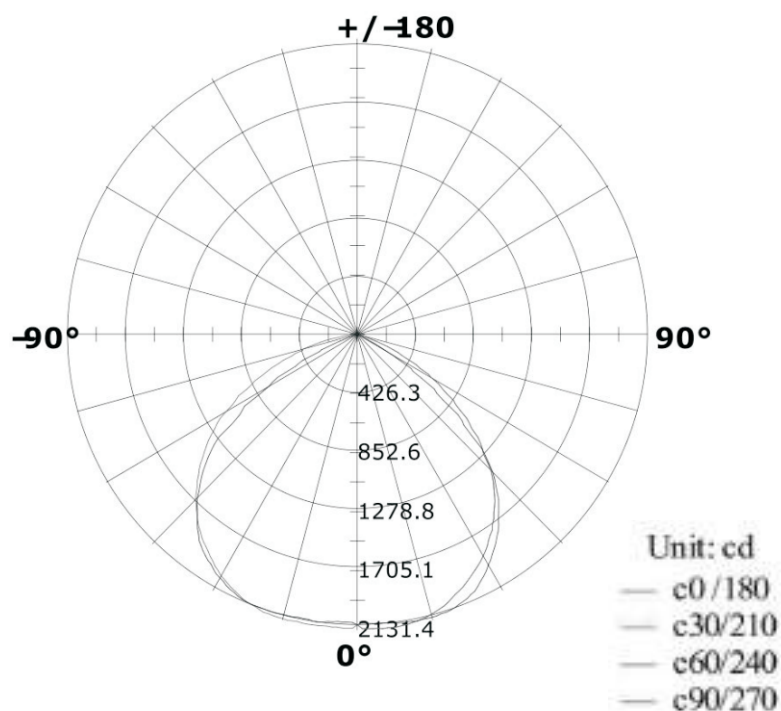
Dimension:	235x225xH58mm
LED package:	2835
LED quantity:	120PCS
Beam angle:	120°
Color temperature:	3000K/6500K
CRI:	≥80
Lifetime:	30,000 hours
Operating temp:	Ta=-25 to 60°C (Tc max=70°C)
IP Rating:	IP66
Warranty:	5 Years

PERFORMANCE DATA

Power consumption:	60W
Frequency range:	50Hz/60Hz
Supply voltage:	AC220-240V
Output current:	1500mA
Power factor:	>0.9
Luminous flux:	5400

5 . Light Distribution Curve

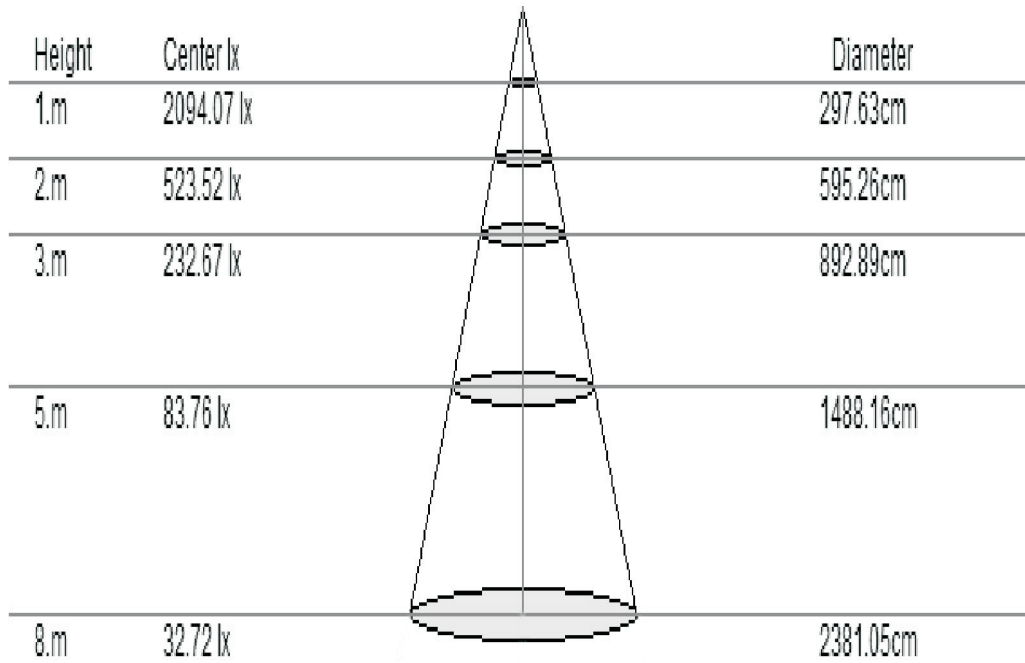
Distribution Curve of Meridian





6. Illumination Cone Curve

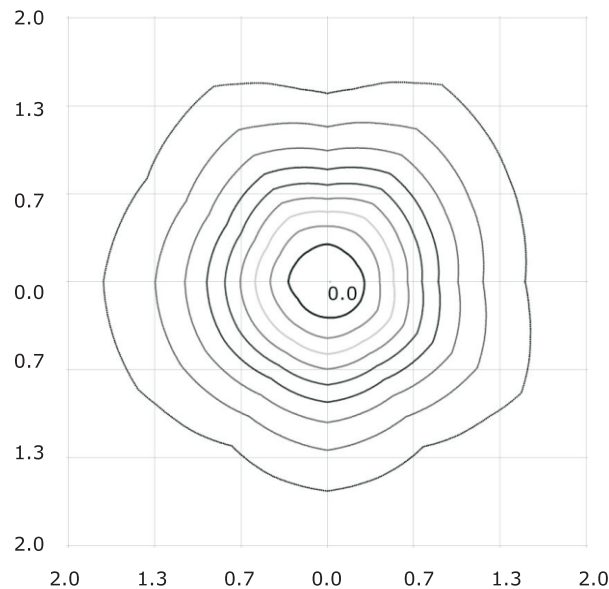
Specification



7. Horizontal Isophotes Curve

Horizontal Absolute Isophotes Curve

Height of calculation: 8 m, Illumination in the vertical of Lamp: 32.72 lx



Height: 1 m

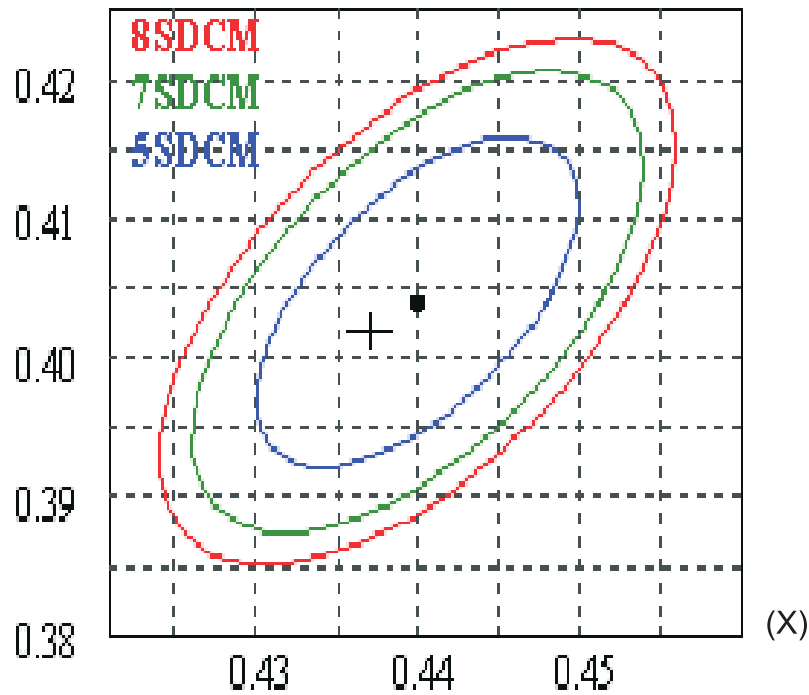
(10%): 213.1lx (20%): 426.3lx (30%): 639.4lx (40%): 852.6lx
 (50%): 1065.7lx (60%): 1278.8lx (70%): 1492.lx (80%): 1705.1lx
 (90%): 1918.3lx (100%): 2129.3lx



Specification

8 Color Information

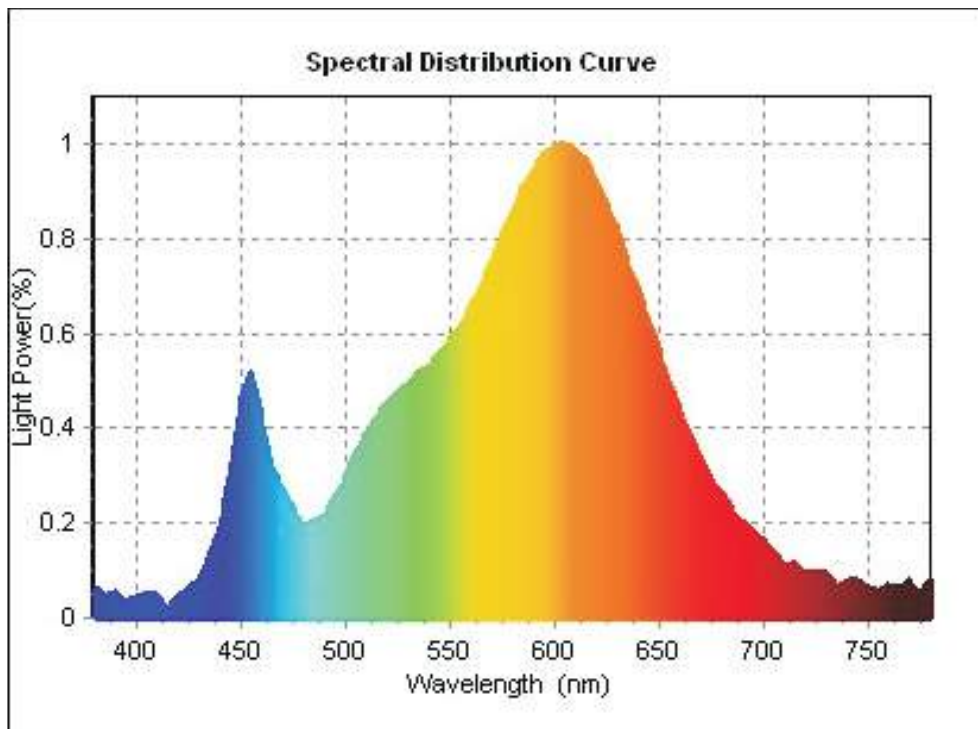
(Y)



3000K

$x=0.440$ $y=0.403$

Color Consistency - Initial



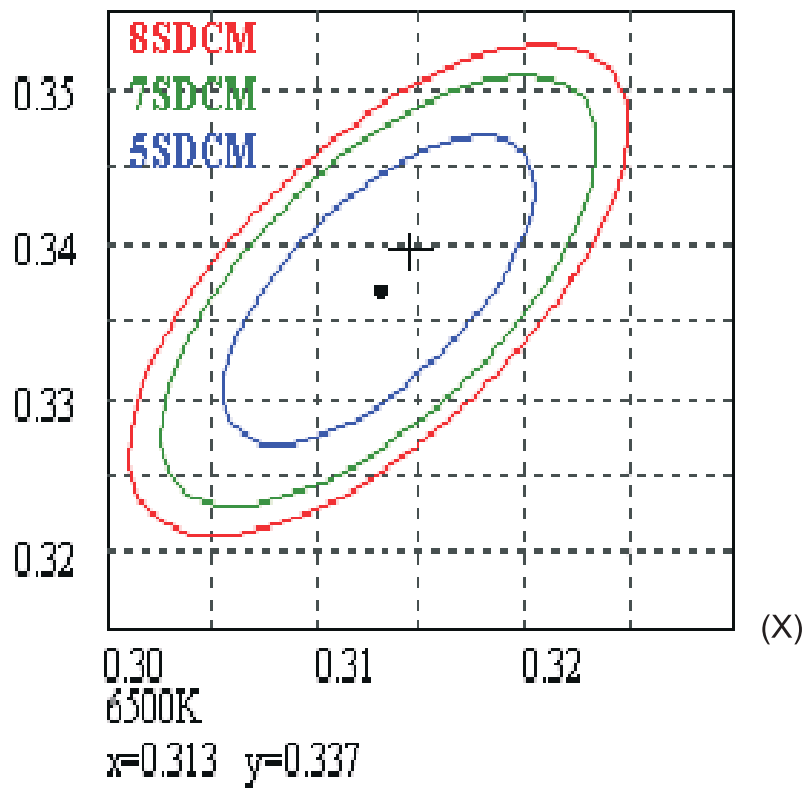
Spectral Power Distribution



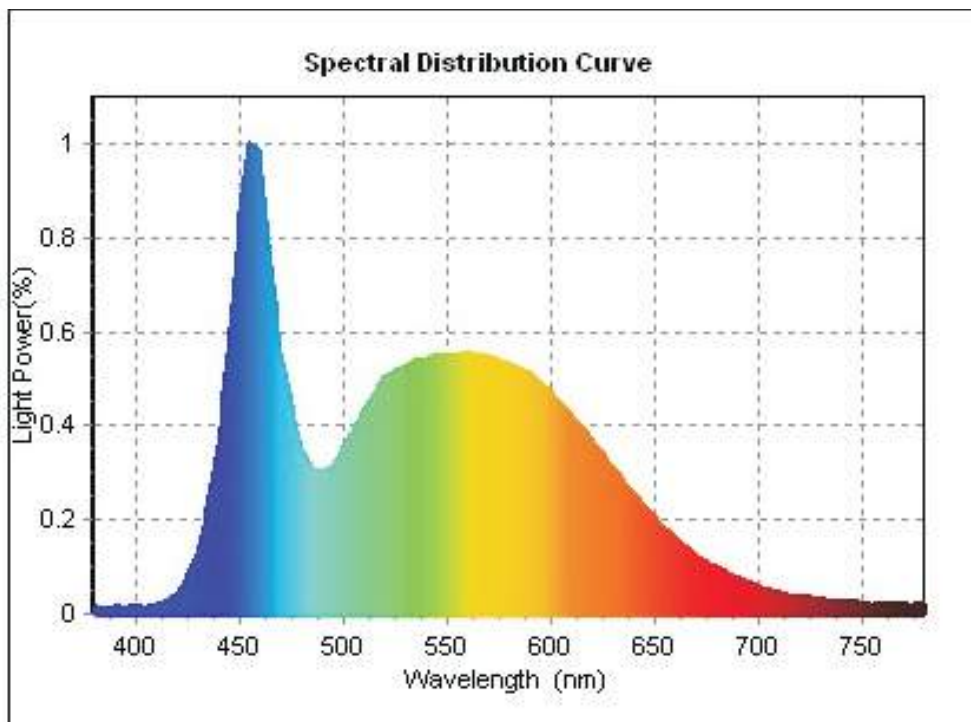
Specification

9 Color Information

(Y)

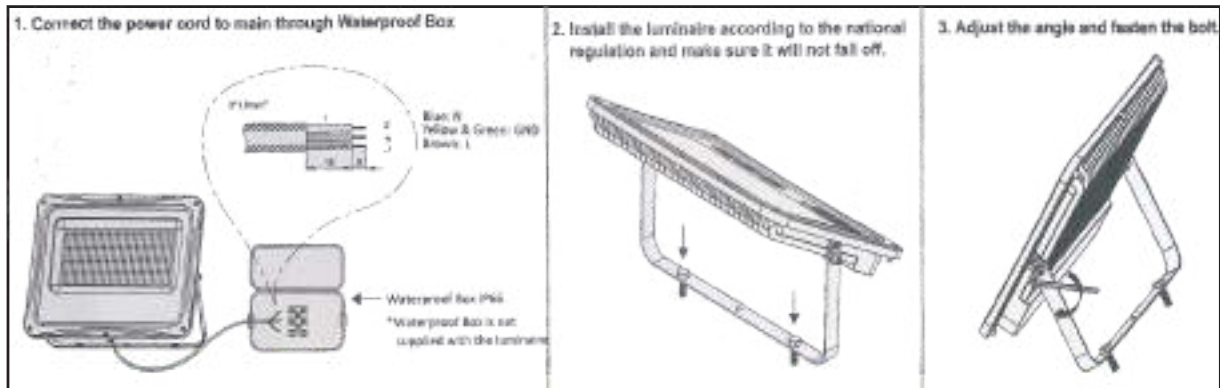


Color Consistency - Initial



Spectral Power Distribution







* Installation Procedure:



Pay Attention:

1. It's better be installed in the open place in order to heat dissipation.
2. The dust on the lamp should be cleaned termly to ensure good dissipation.

11 .Notes

-  Do not attempt to install or use a fixture until you read and understand the installation instructions and safety label.
-  Fixtures have line voltage risk of shock and no user serviceable parts. Do not attempt to open them.
-  Do not hot swap fixtures. Ensure that power to the series is off before connecting or disconnecting individual fixtures.
-  Do not use a fixture if the lens, housing, or power cables are damaged.
-  Do not use a fixture for any voltage for which it is not rated. Do not exceed the specified voltage and current input for any fixture.
-  Do not use the eye to see the light source directly.