

# LED FLOODLIGHT(FOR PROJECT)DESCRIPTION

NS-FLA-400



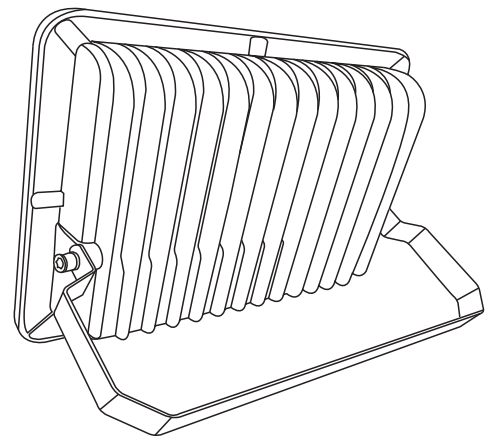
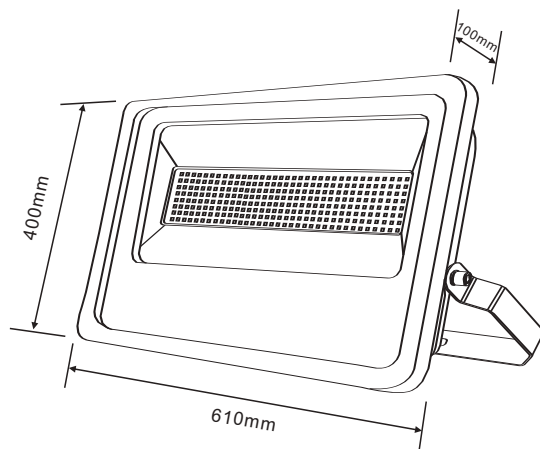
Specification

## 1 . Lighting Design Related Detail Sketches



## 2 . Dimension

Size:610x400x100mm



## 3 . Description

- High efficiency, low energy consumption.
- Good quality beam.
- Long life span 30000 hours.
- Ecological. The waste can be recycled.No pollution and mercury.



## 4 . Technical parameter

### Specification

#### PRODUCT SPECIFICATION

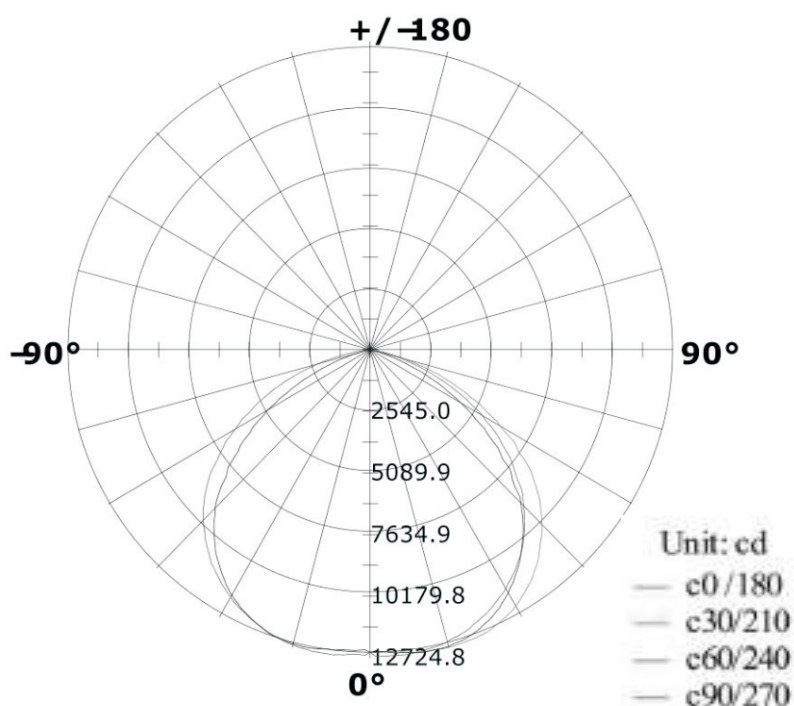
Dimension:	610x400xH100mm
LED package:	2835
LED quantity:	800PCS
Beam angle:	120°
Color temperature:	3000K/6500K
CRI:	≥80
Lifetime:	30,000 hours
Operating temp:	Ta=-25 to 60°C (Tc max=70°C)
IP Rating:	IP66
Warranty:	5 Years

#### PERFORMANCE DATA

Power consumption:	400W
Frequency range:	50Hz/60Hz
Supply voltage:	AC220-240V
Output current:	1500mA*8
Power factor:	>0.9
Luminous flux:	42000

## 5 . Light Distribution Curve

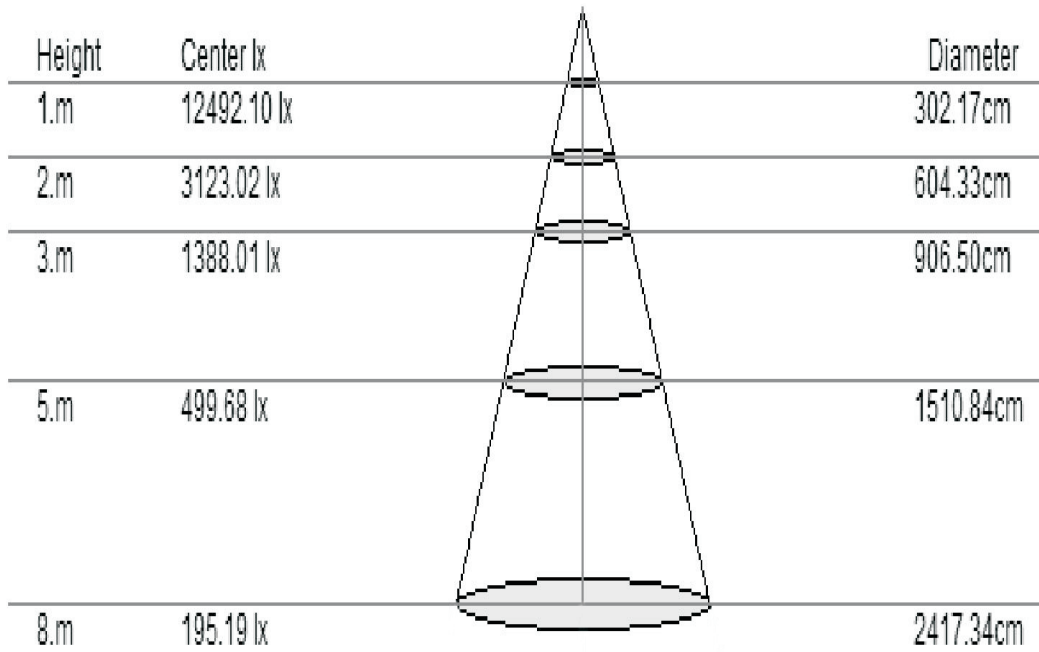
### Distribution Curve of Meridian





## 6. Illumination Cone Curve

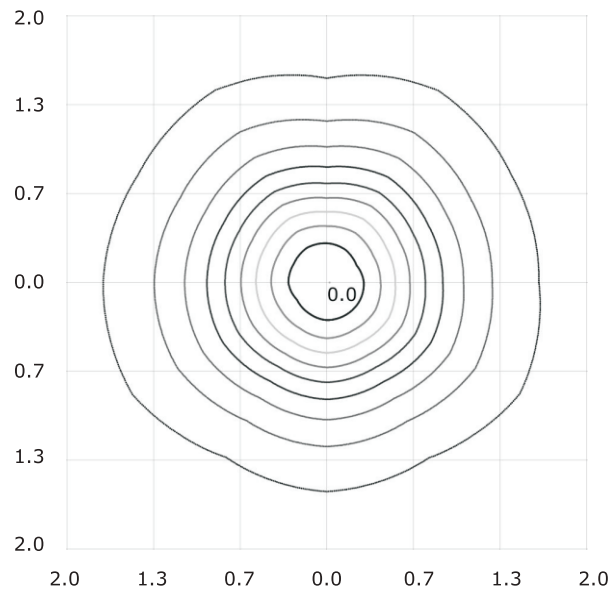
### Specification



## 7. Horizontal Isophotes Curve

### Horizontal Absolute Isophotes Curve

Height of calculation: 8 m, Illumination in the vertical of Lamp: 195.19 lx



Height: 1 m

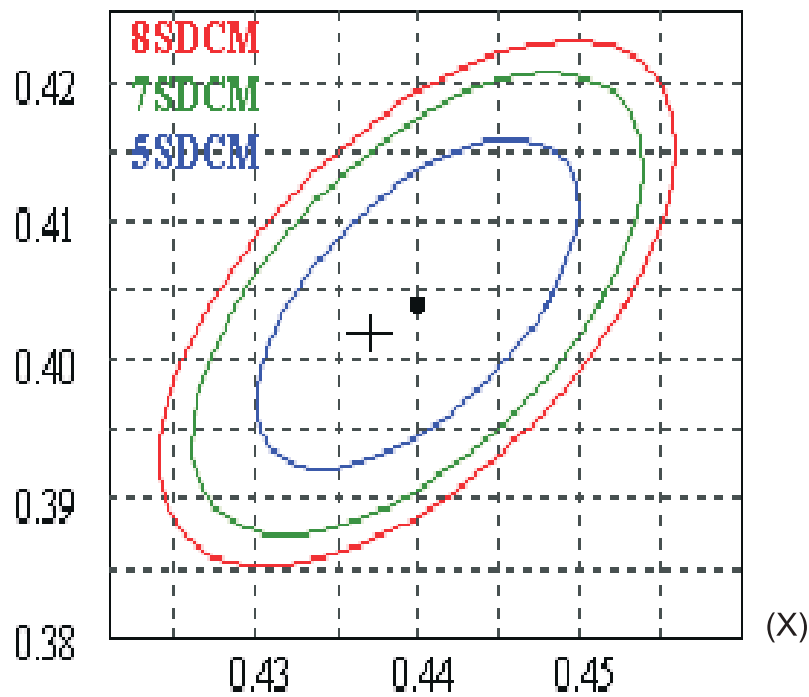
(10%): 1272.5lx    (20%): 2545.1lx    (30%): 3817.5lx    (40%): 5089.9lx  
 (50%): 6362.4lx    (60%): 7634.9lx    (70%): 8907.4lx    (80%): 10179.9lx  
 (90%): 11452.4lx    (100%): 12712.1lx



Specification

## 8 Color Information

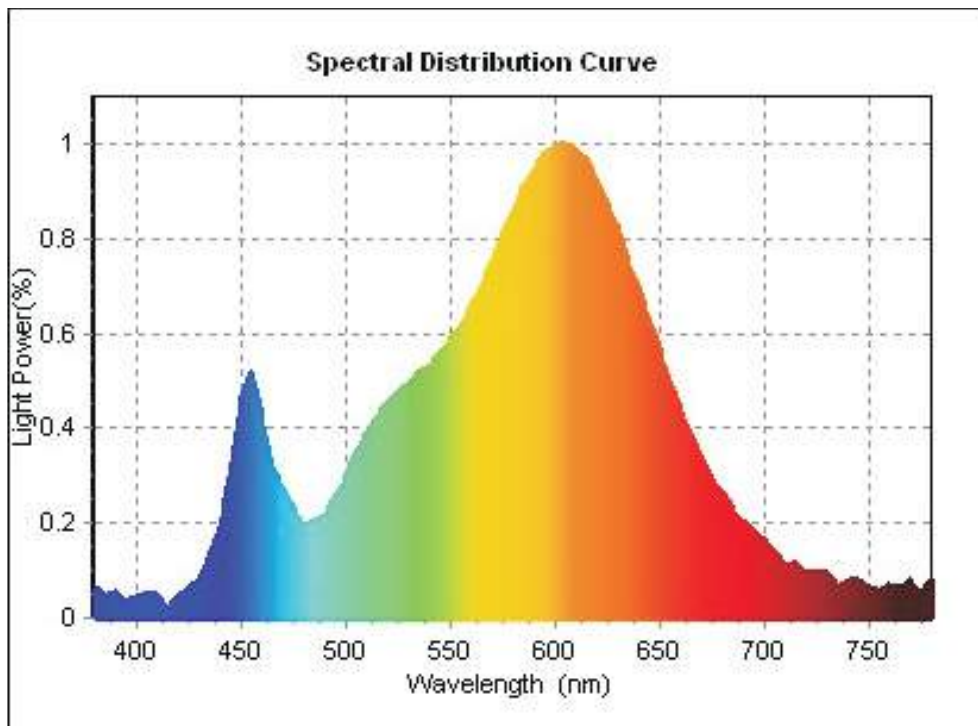
(Y)



3000K

$x=0.440$   $y=0.403$

Color Consistency - Initial



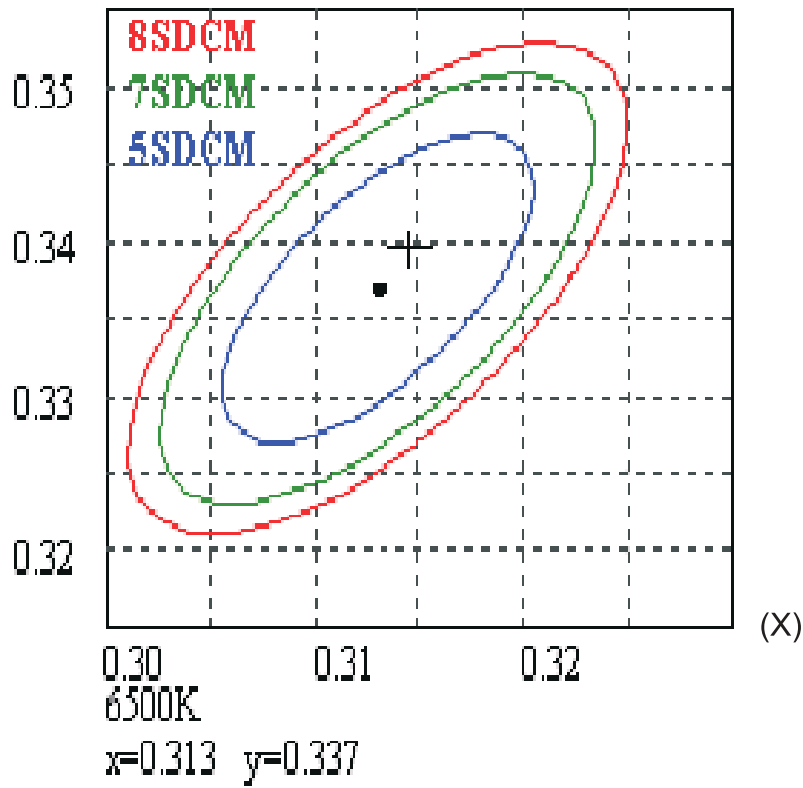
Spectral Power Distribution



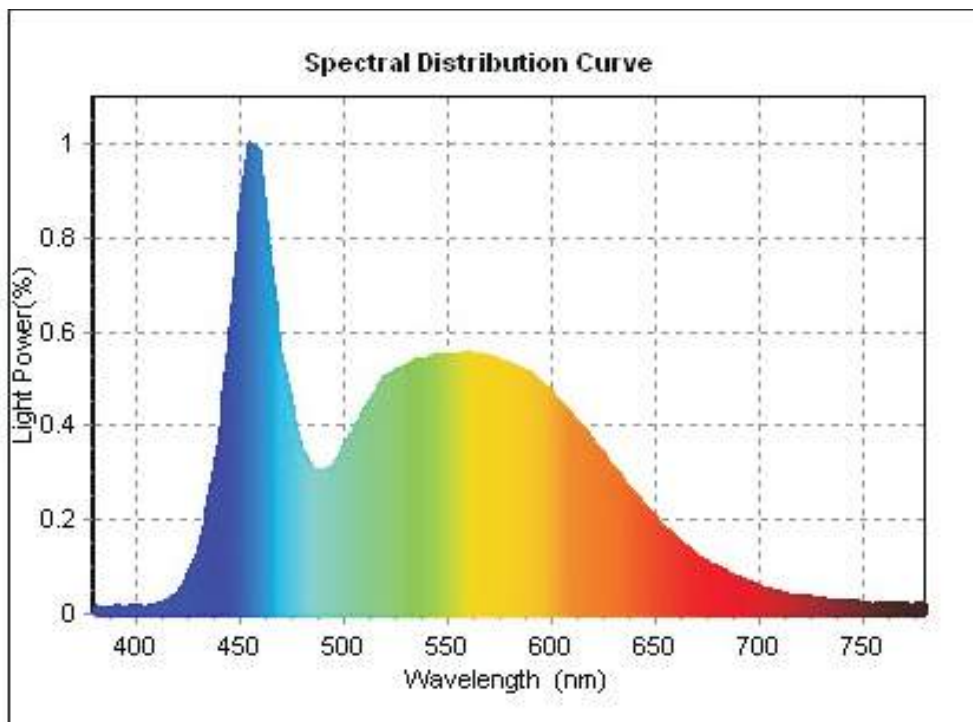
Specification

## 9 Color Information

(Y)

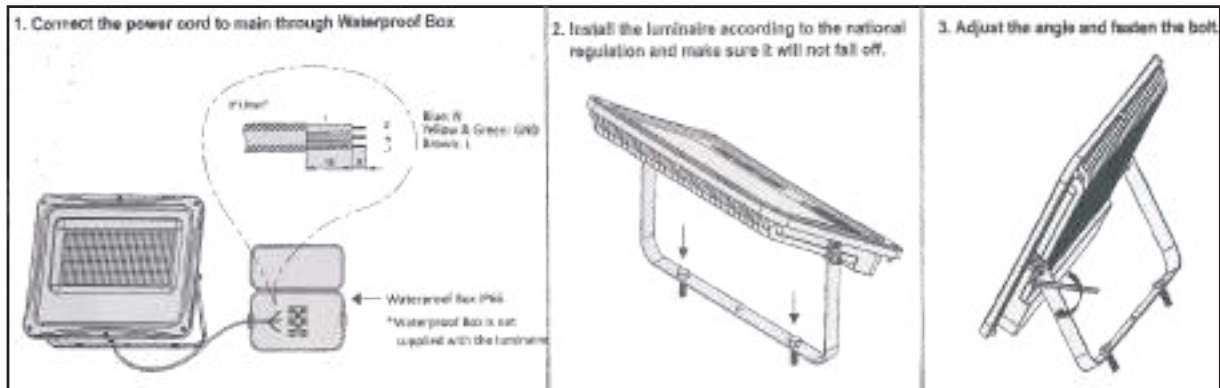


Color Consistency - Initial



Spectral Power Distribution







### \* Installation Procedure:



Pay Attention:

1. It's better be installed in the open place in order to heat dissipation.
2. The dust on the lamp should be cleaned termly to ensure good dissipation.

# 11 .Notes

-  Do not attempt to install or use a fixture until you read and understand the installation instructions and safety label.
-  Fixtures have line voltage risk of shock and no user serviceable parts. Do not attempt to open them.
-  Do not hot swap fixtures. Ensure that power to the series is off before connecting or disconnecting individual fixtures.
-  Do not use a fixture if the lens, housing, or power cables are damaged.
-  Do not use a fixture for any voltage for which it is not rated. Do not exceed the specified voltage and current input for any fixture.
-  Do not use the eye to see the light source directly.