

# LED FLOODLIGHT(FOR PROJECT)DESCRIPTION

NS-FLA-300



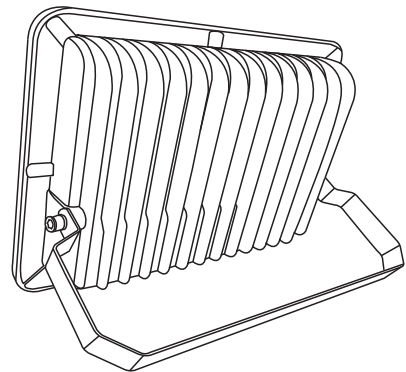
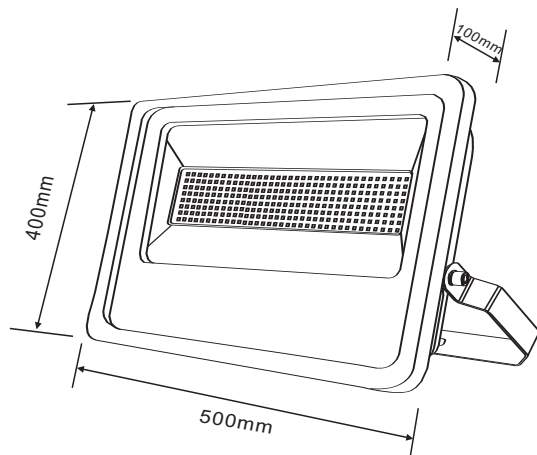
Specification

## 1 . Lighting Design Related Detail Sketches



## 2 . Dimension

Size:500x400x100mm



## 3 . Description

- High efficiency, low energy consumption.
- Good quality beam.
- Long life span 30000 hours.
- Ecological. The waste can be recycled.No pollution and mercury.



## 4 . Technical parameter

## Specification

### PRODUCT SPECIFICATION

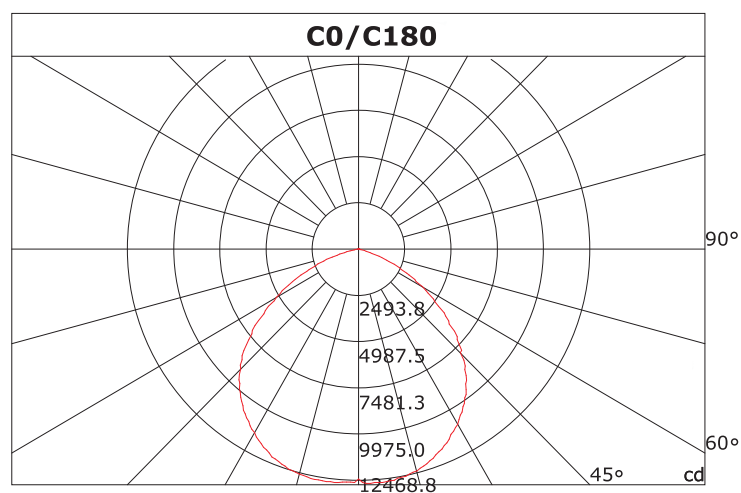
Dimension:	500x400xH100mm
LED package:	2835
LED quantity:	660PCS
Beam angle:	110°
Color temperature:	3000K/6500K
CRI:	≥80
Lifetime:	30,000 hours
Operating temp:	Ta=-25 to 60°C (Tc max=70°C)
IP Rating:	IP66
Warranty:	5 Years

### PERFORMANCE DATA

Power consumption:	300W
Frequency range:	50Hz/60Hz
Supply voltage:	AC220-240V
Output current:	1500mA*6
Power factor:	>0.9
Luminous flux:	27000

## 5 . Light Distribution Curve

### Distribution Curve of Meridian



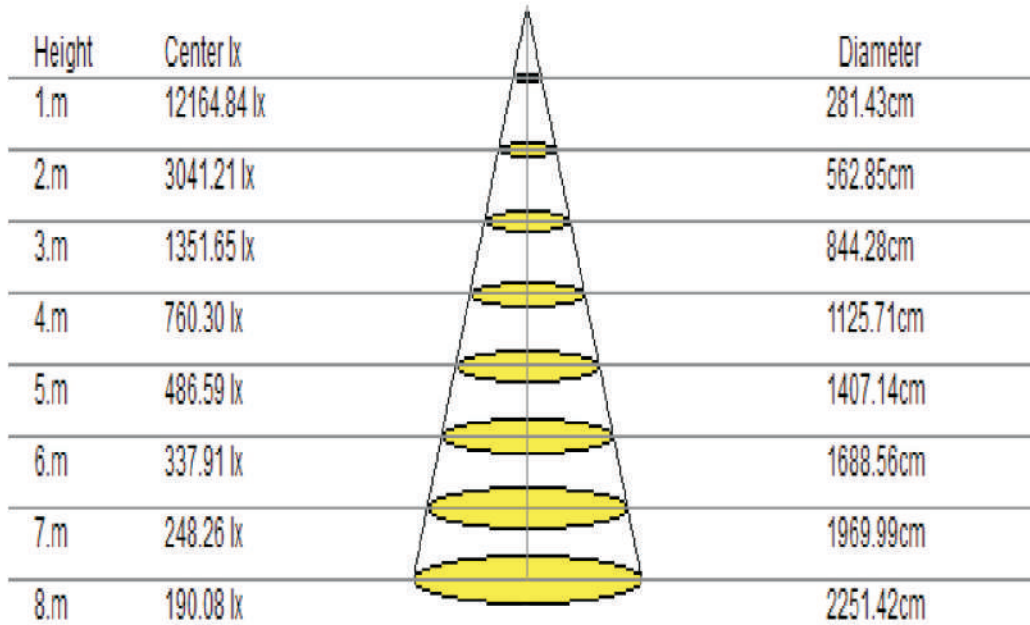
Unit: cd

- c0/180
- c30/210
- c60/240
- c90/270



## 6. Illumination Cone Curve

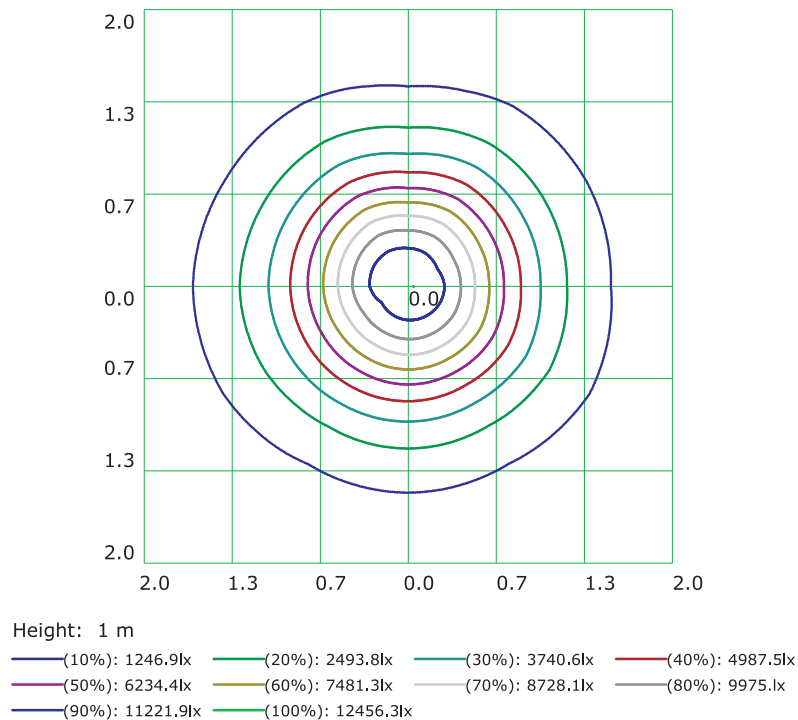
### Specification



## 7. Horizontal Isophotes Curve

### Horizontal Absolute Isophotes Curve

Height of calculation: 8 m, Illumination in the vertical of Lamp: 190.08 lx

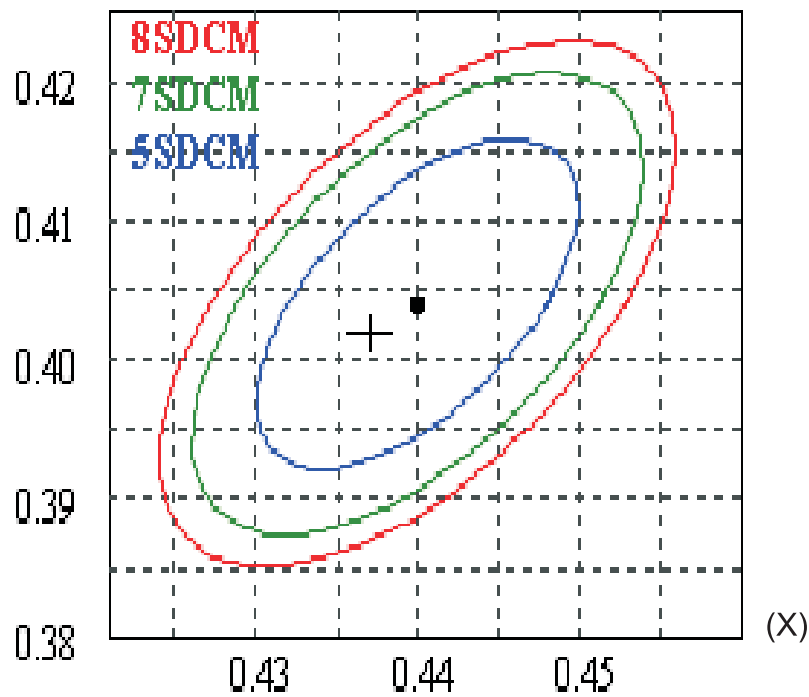




Specification

## 8 Color Information

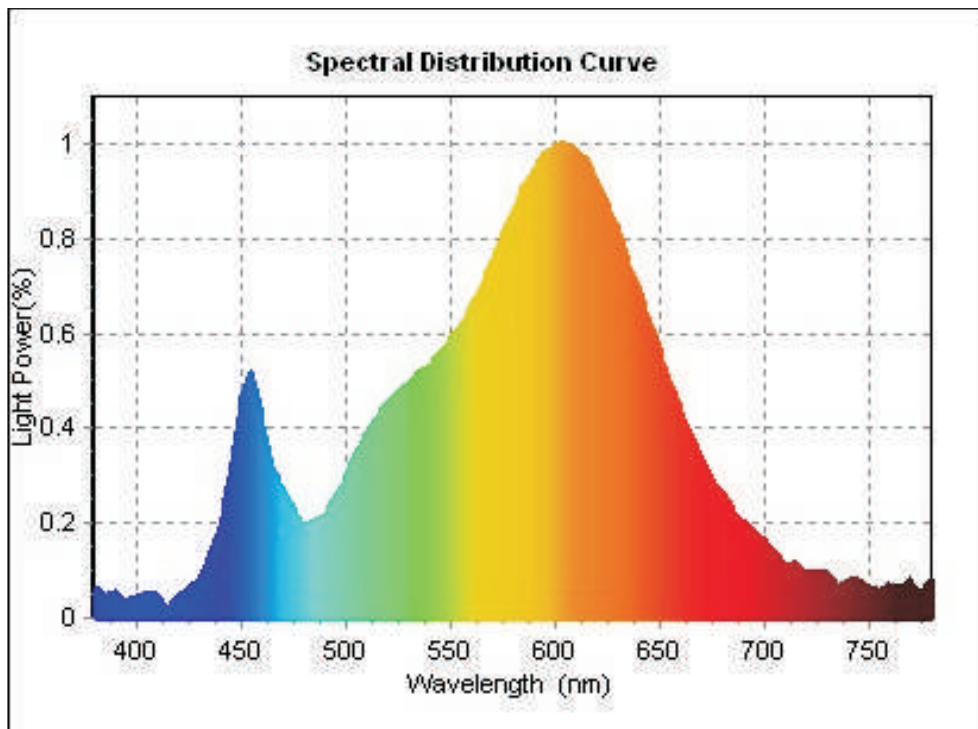
(Y)



3000K

$x=0.440$   $y=0.403$

Color Consistency - Initial



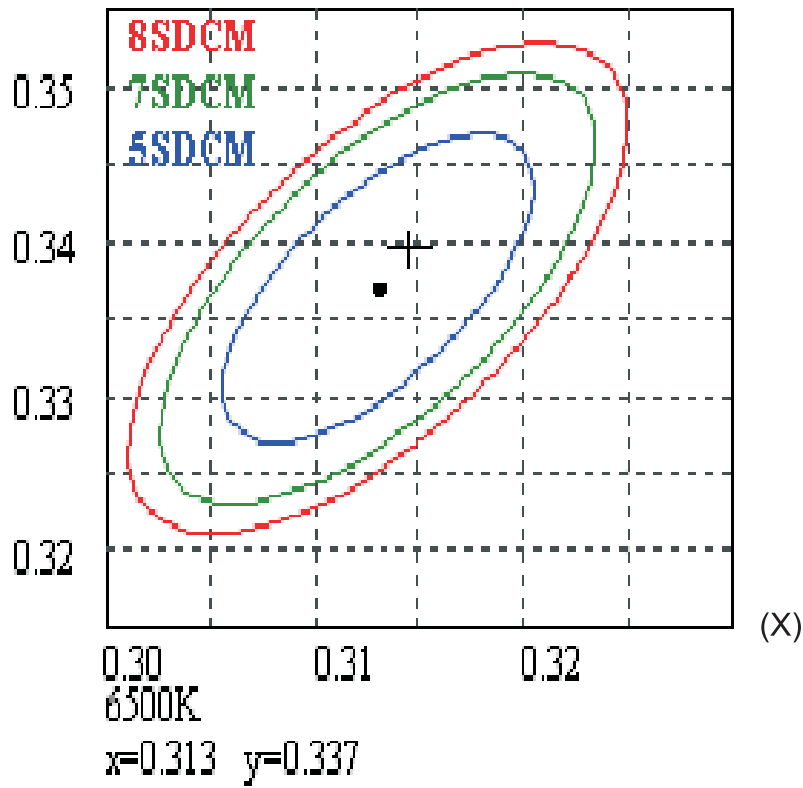
Spectral Power Distribution



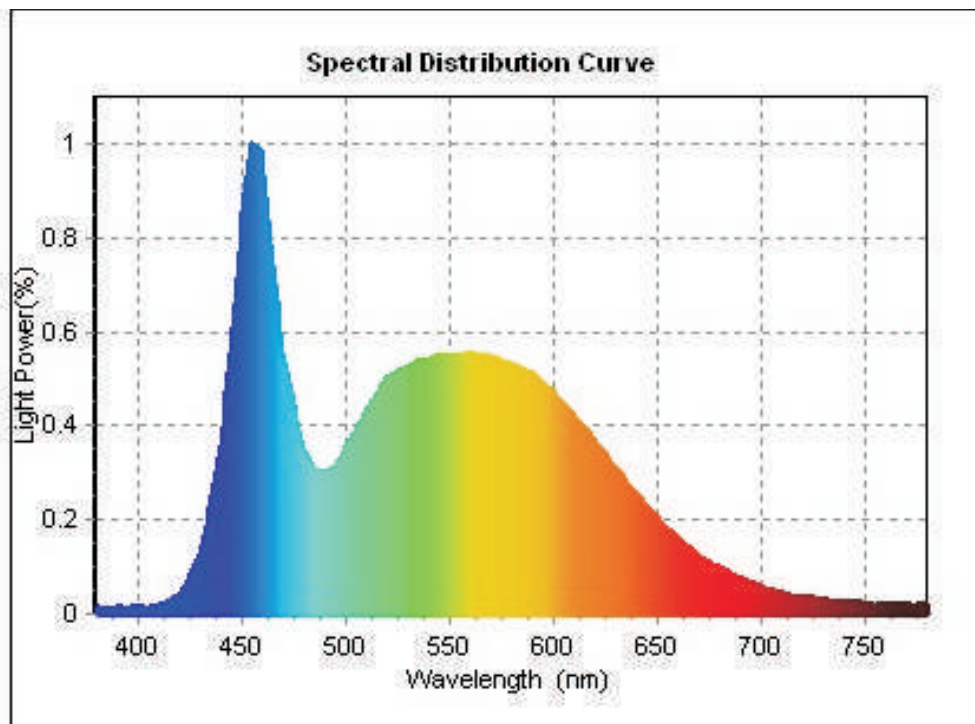
# Specification

## 9 Color Information

(Y)



Color Consistency - Initial



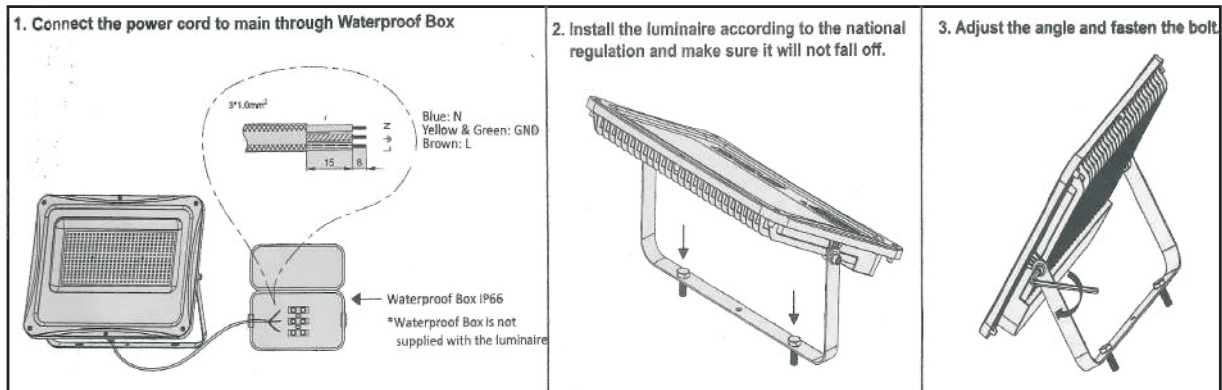
Spectral Power Distribution

# 10 . Installation



## Installation Instructions

### \* Installation Procedure:



Pay Attention:

1. It's better be installed in the open place in order to heat dissipation.
2. The dust on the lamp should be cleaned termly to ensure good dissipation.

# 11 .Notes

- Do not attempt to install or use a fixture until you read and understand the installation instructions and safety label.
- Fixtures have line voltage risk of shock and no user serviceable parts. Do not attempt to open them.
- Do not hot swap fixtures. Ensure that power to the series is off before connecting or disconnecting individual fixtures.
- Do not use a fixture if the lens, housing, or power cables are damaged.
- Do not use a fixture for any voltage for which it is not rated. Do not exceed the specified voltage and current input for any fixture.
- Do not use the eye to see the light source directly.